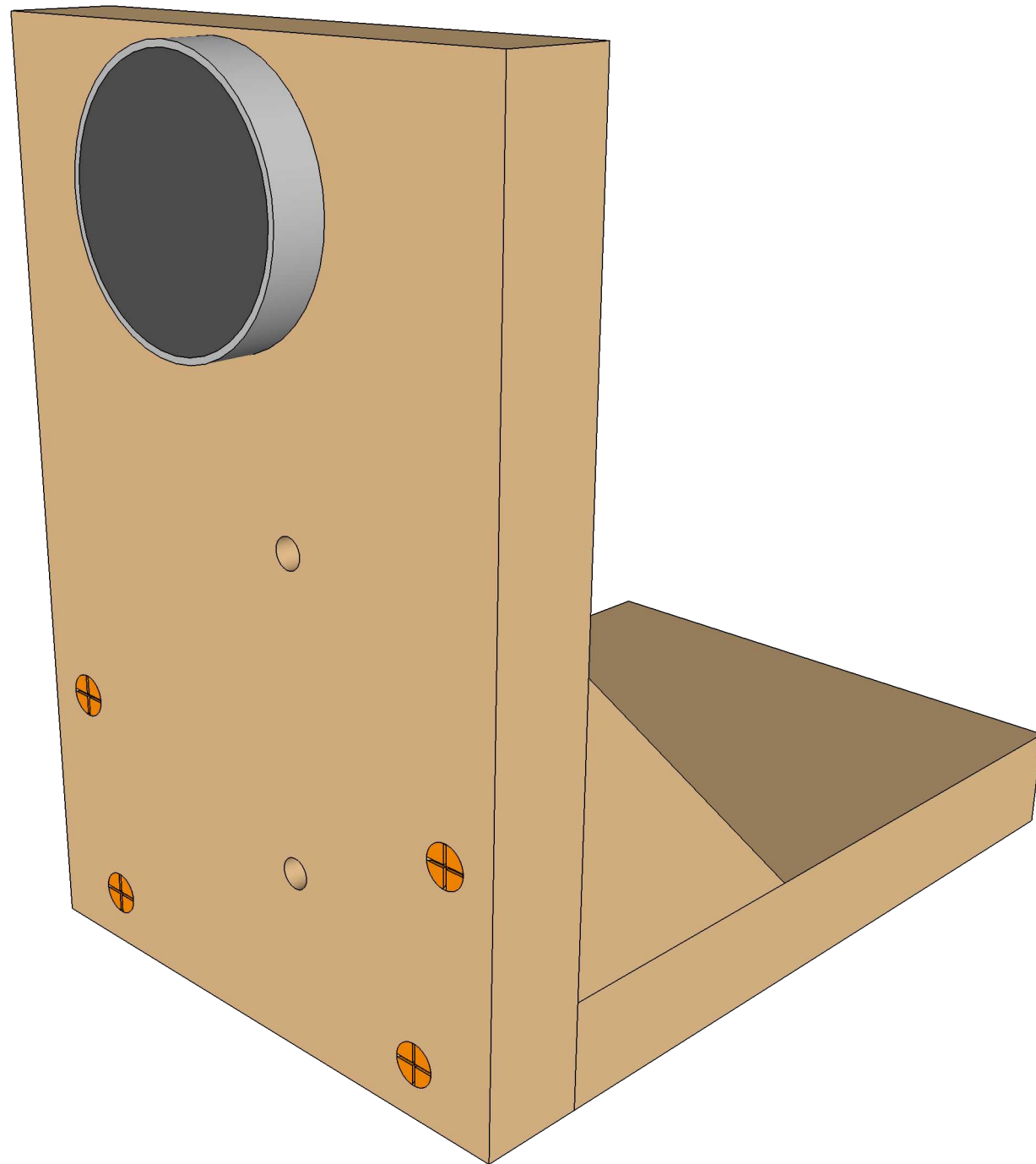
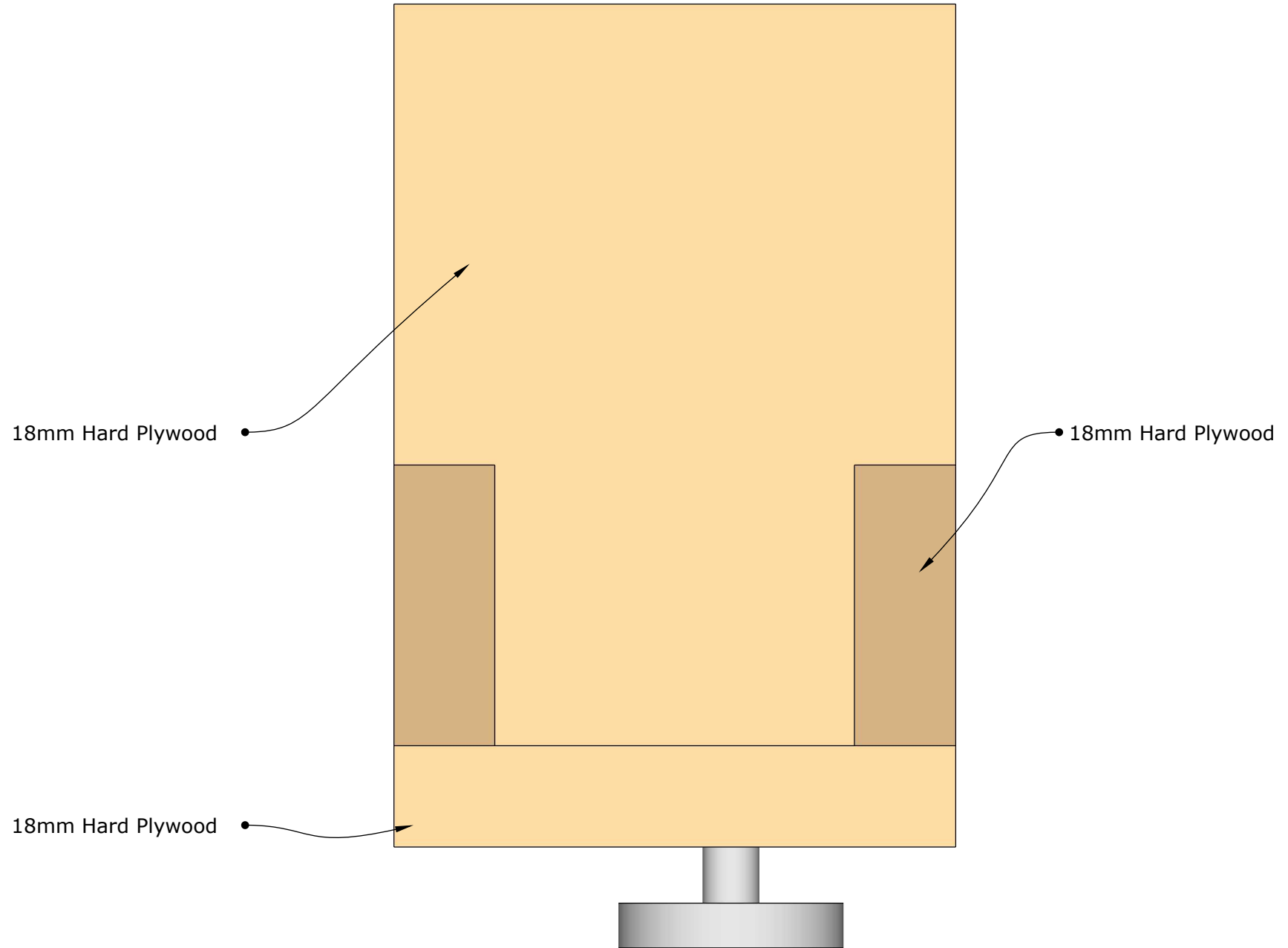


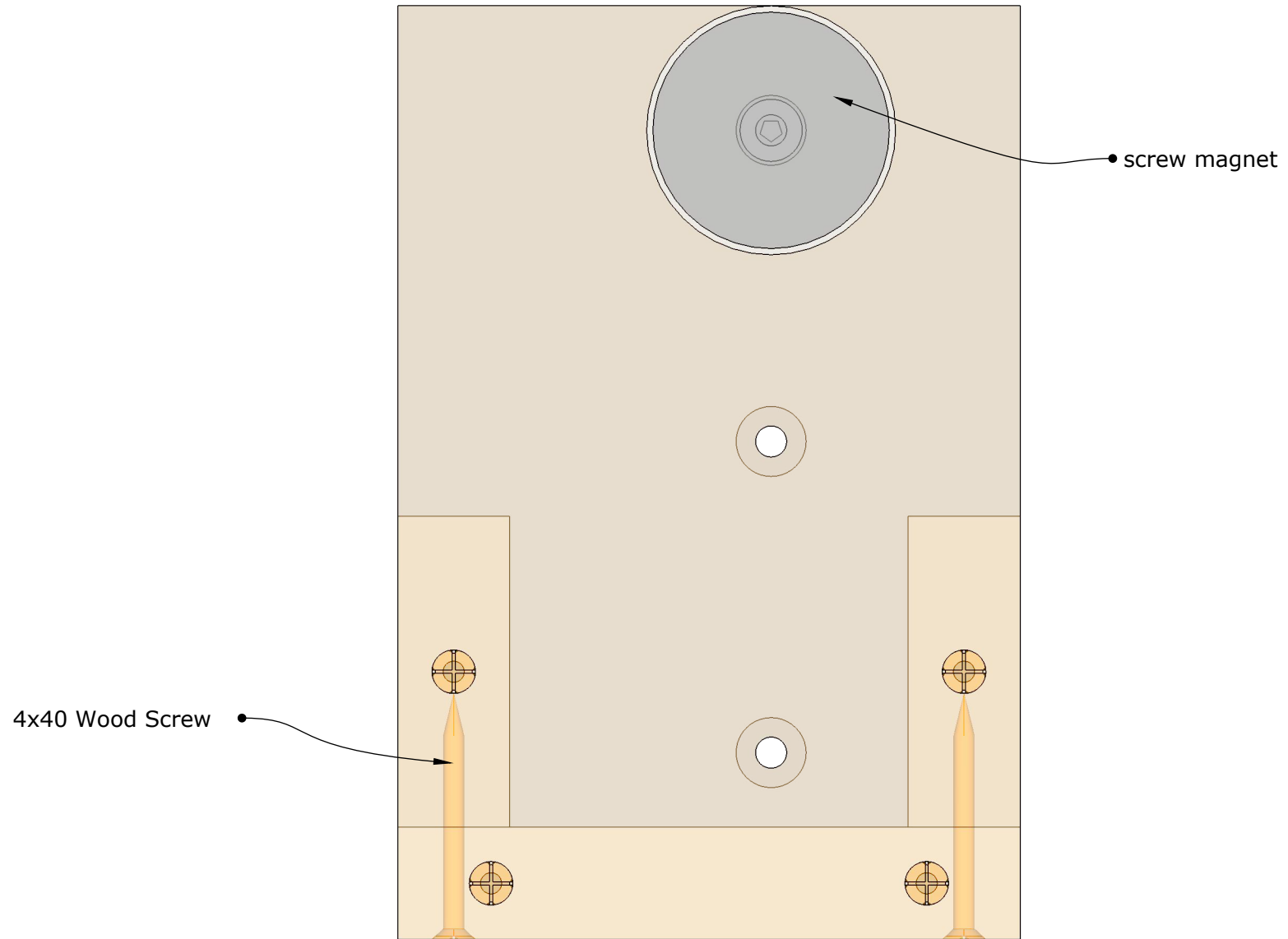
Height Gauge ISO



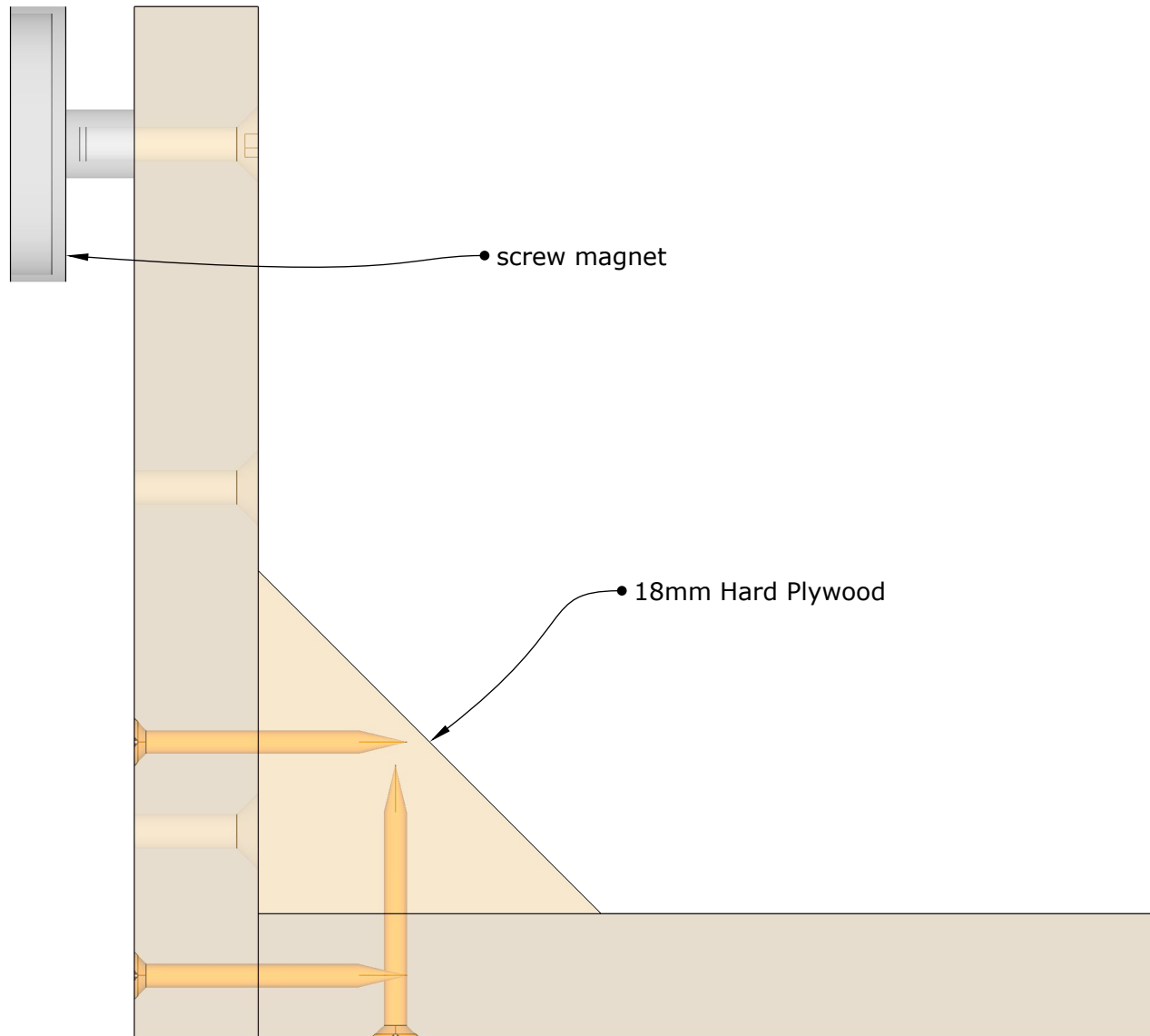
Height Gauge Top Full Scale



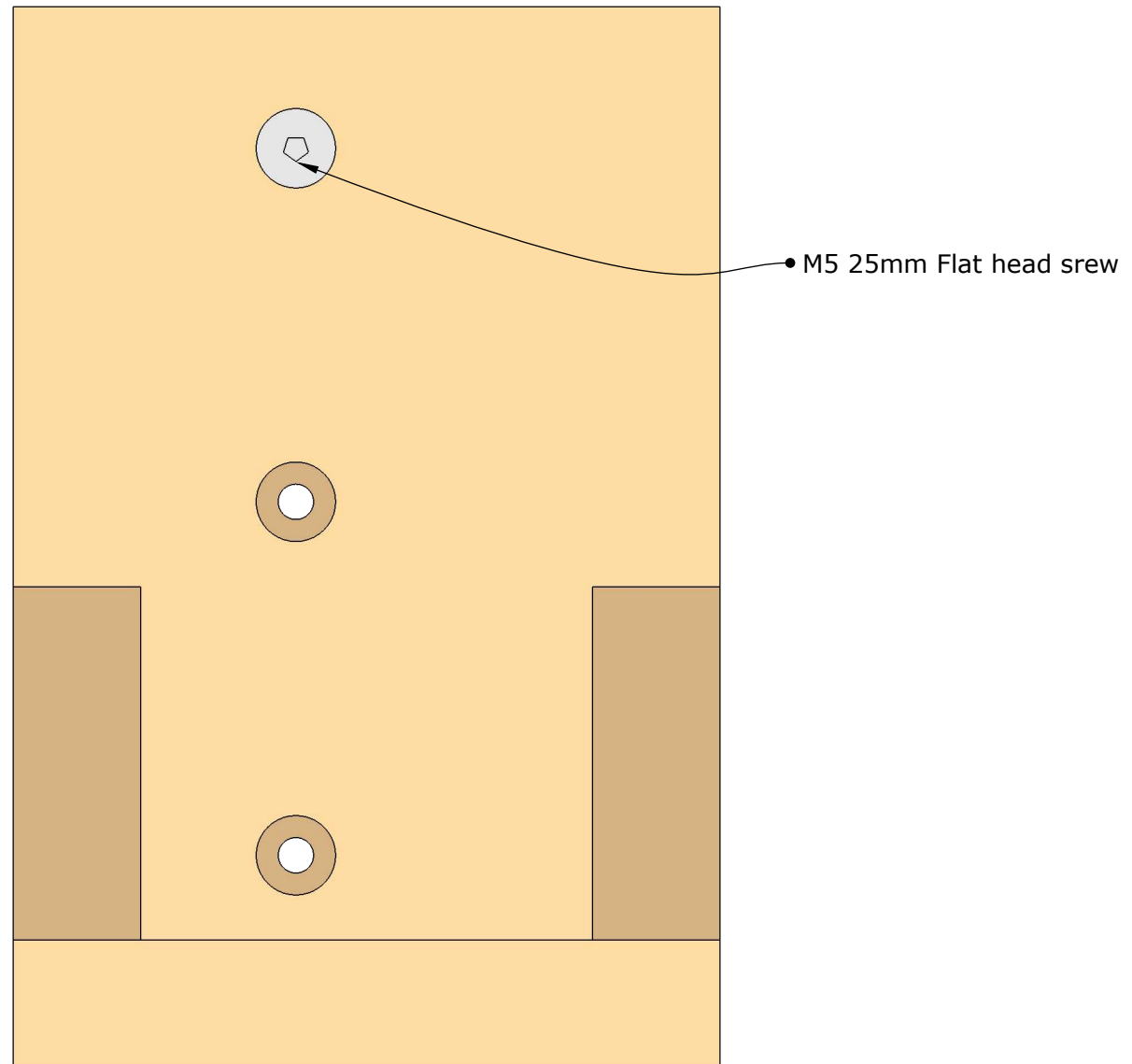
Height Gauge Front Full Scale



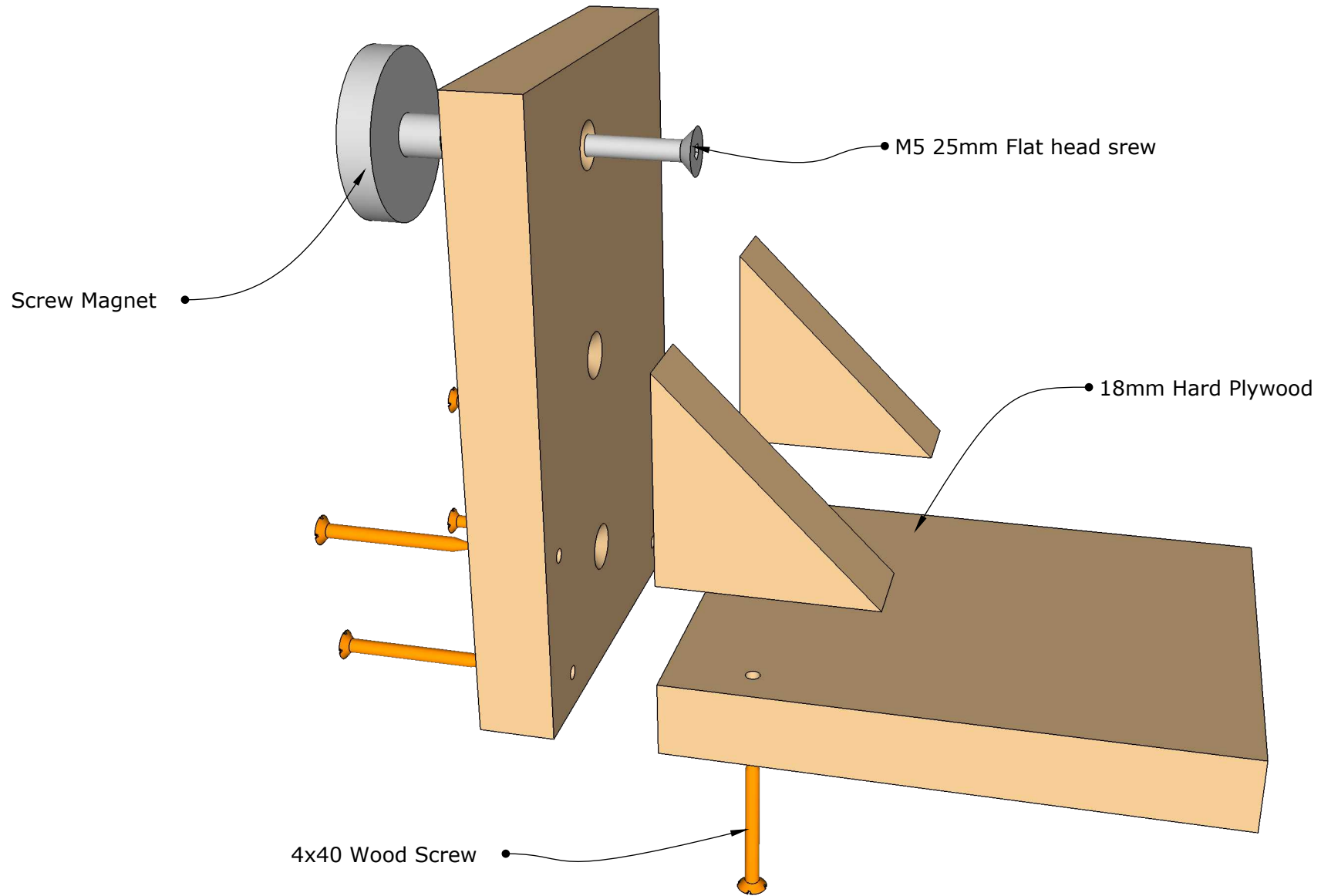
Height Gauge Right Full Scale



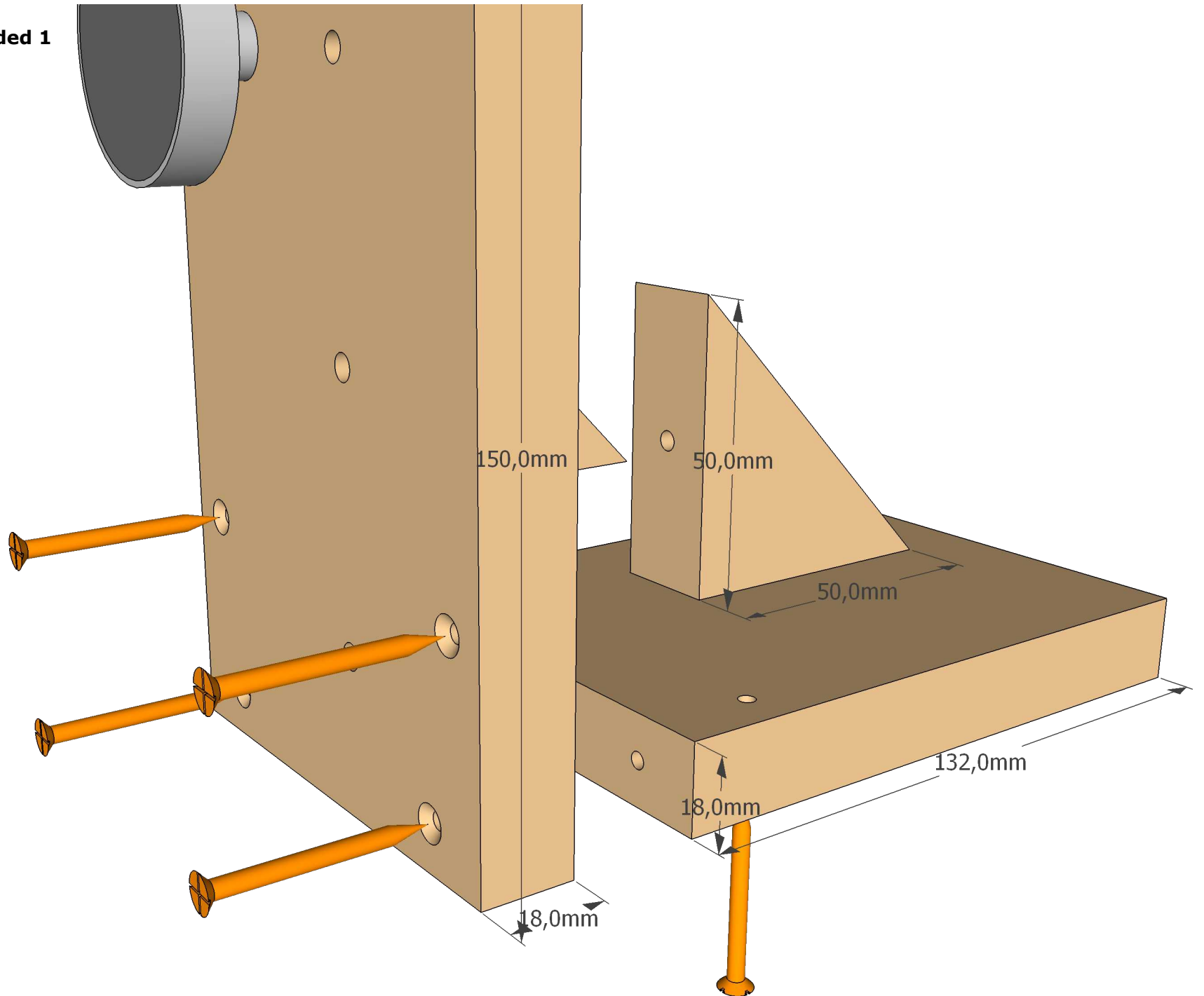
Height Gauge Back Full Scale



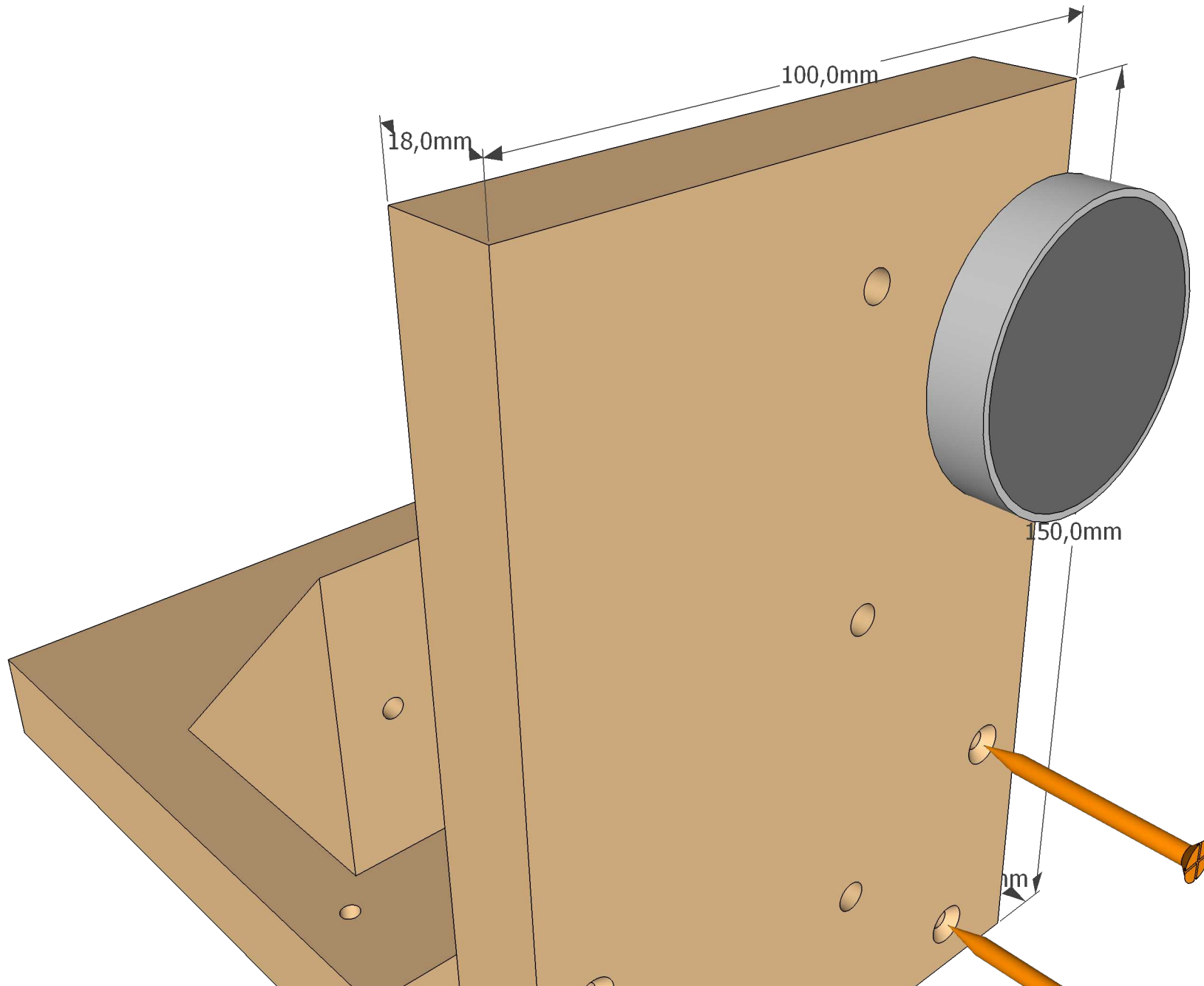
Height Gauge ISO Exploded



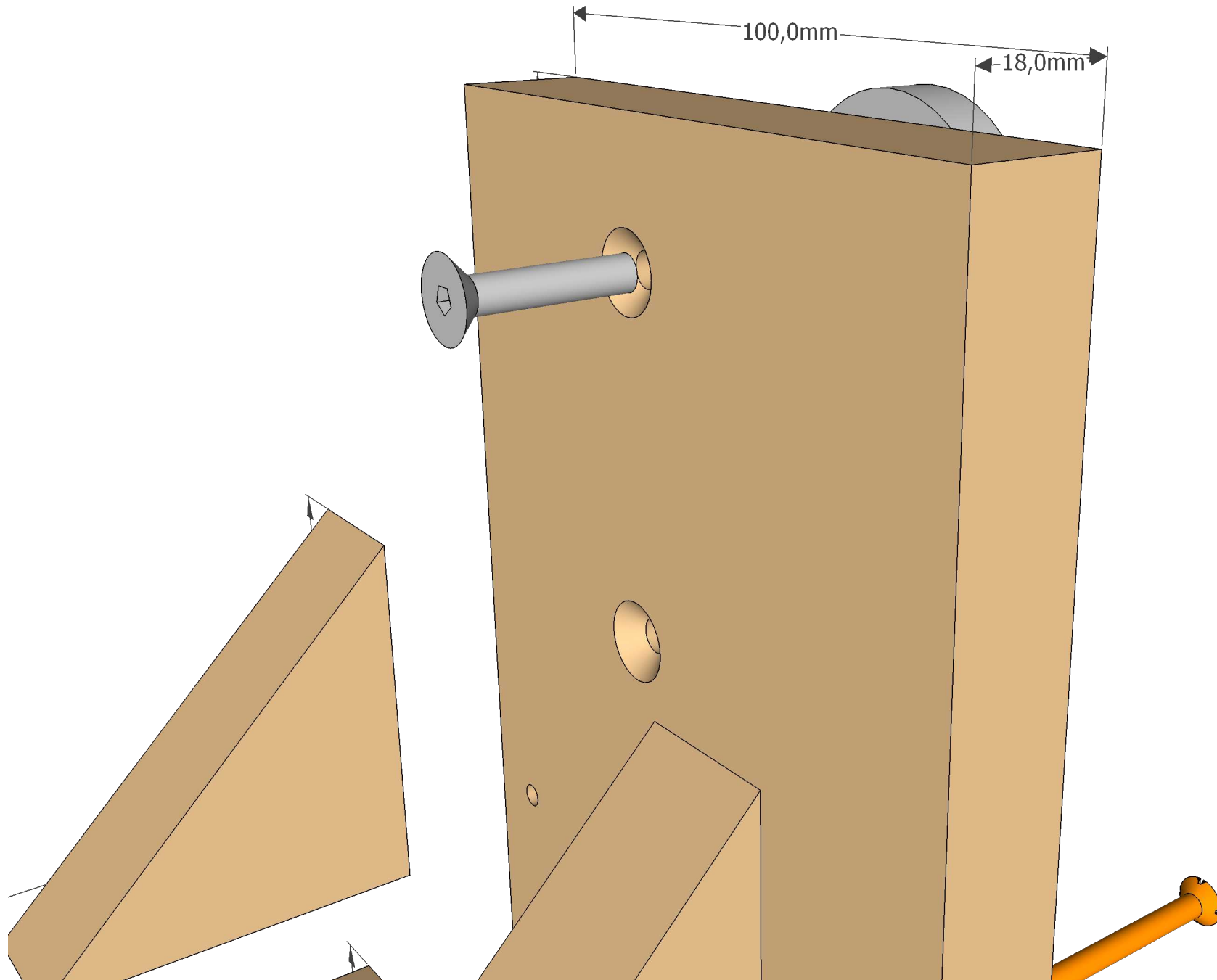
Height Gauge Exploded 1



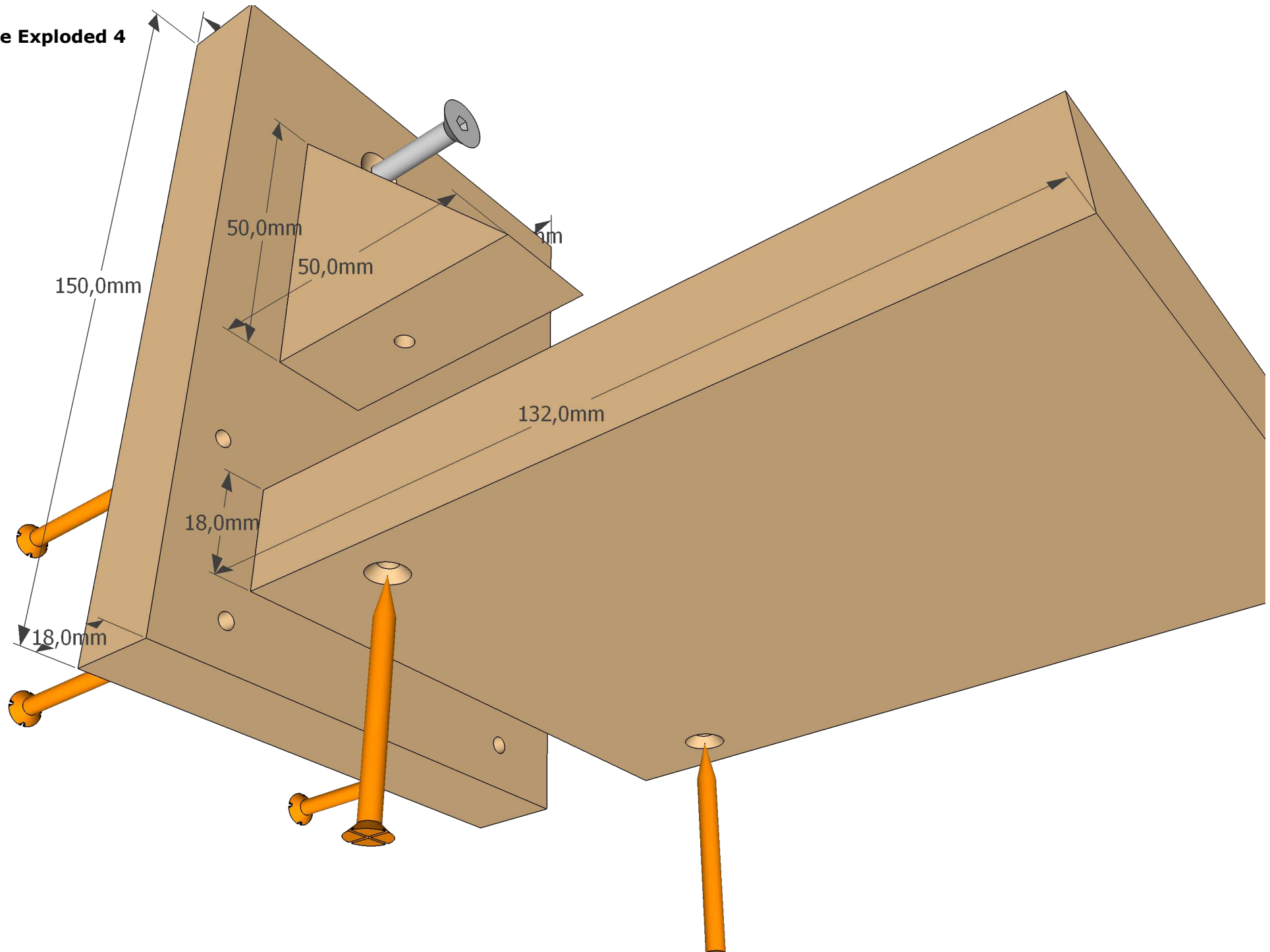
Height Gauge Exploded 2



Height Gauge Exploded 3



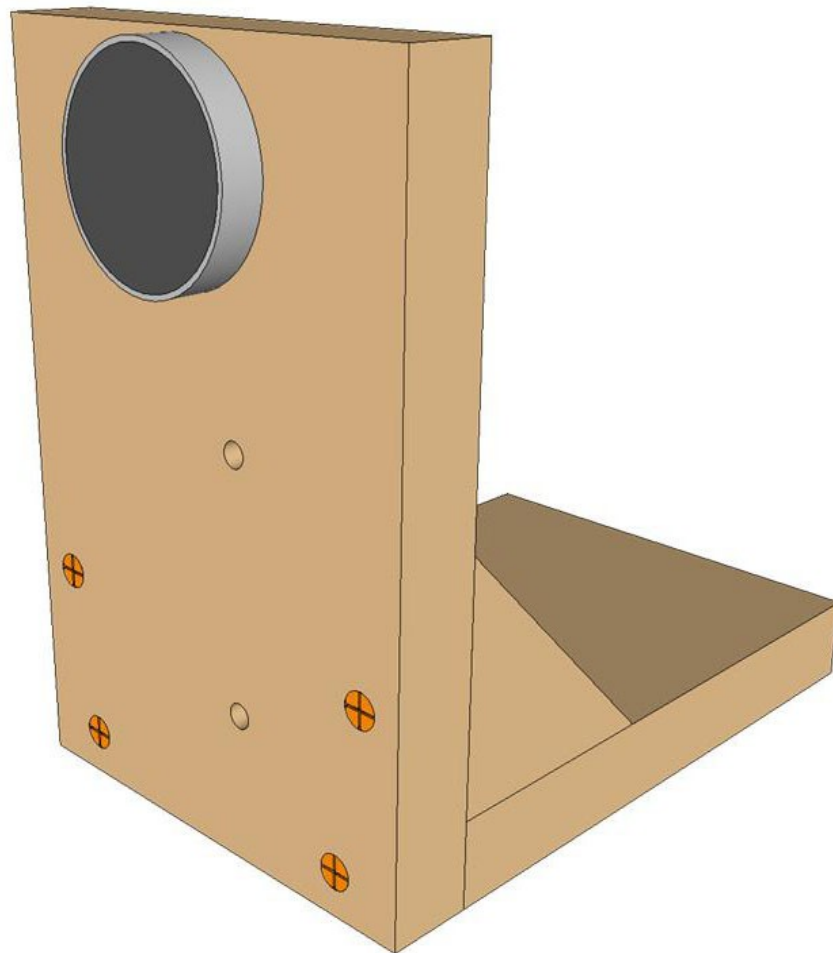
Height Gauge Exploded 4



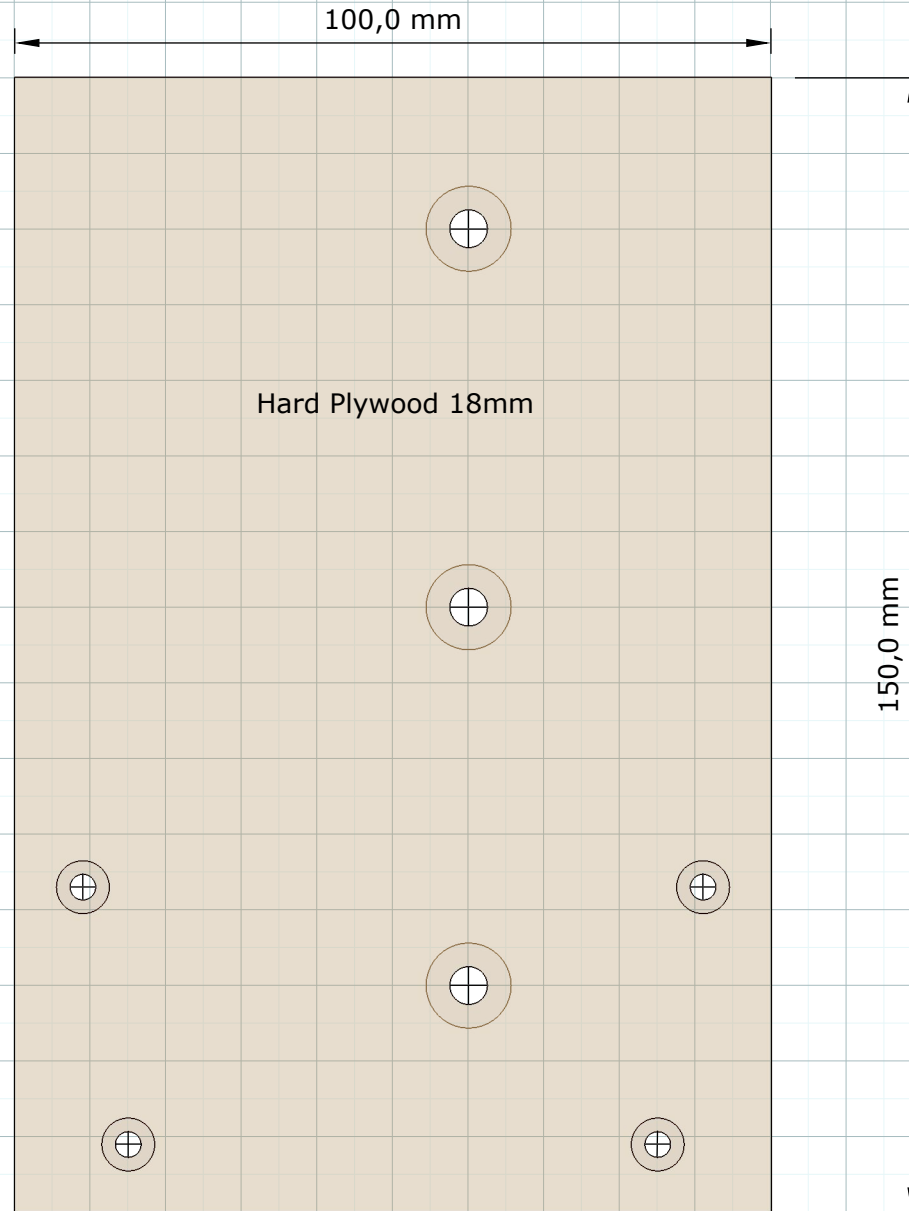
Height Gauge

Cutting List:

- 1- 150 x 100 x 18mm Hard Plywood
- 2- 132 x 100 x 18mm Hard Plywood
- 3- 50 x 50 x 18mm (2 Pieces) Hard Plywood
- 4- 40mm diameter Magnet Screw
- 5- M5 25mm Flat head srew



Printable Template1



Printable Template2

