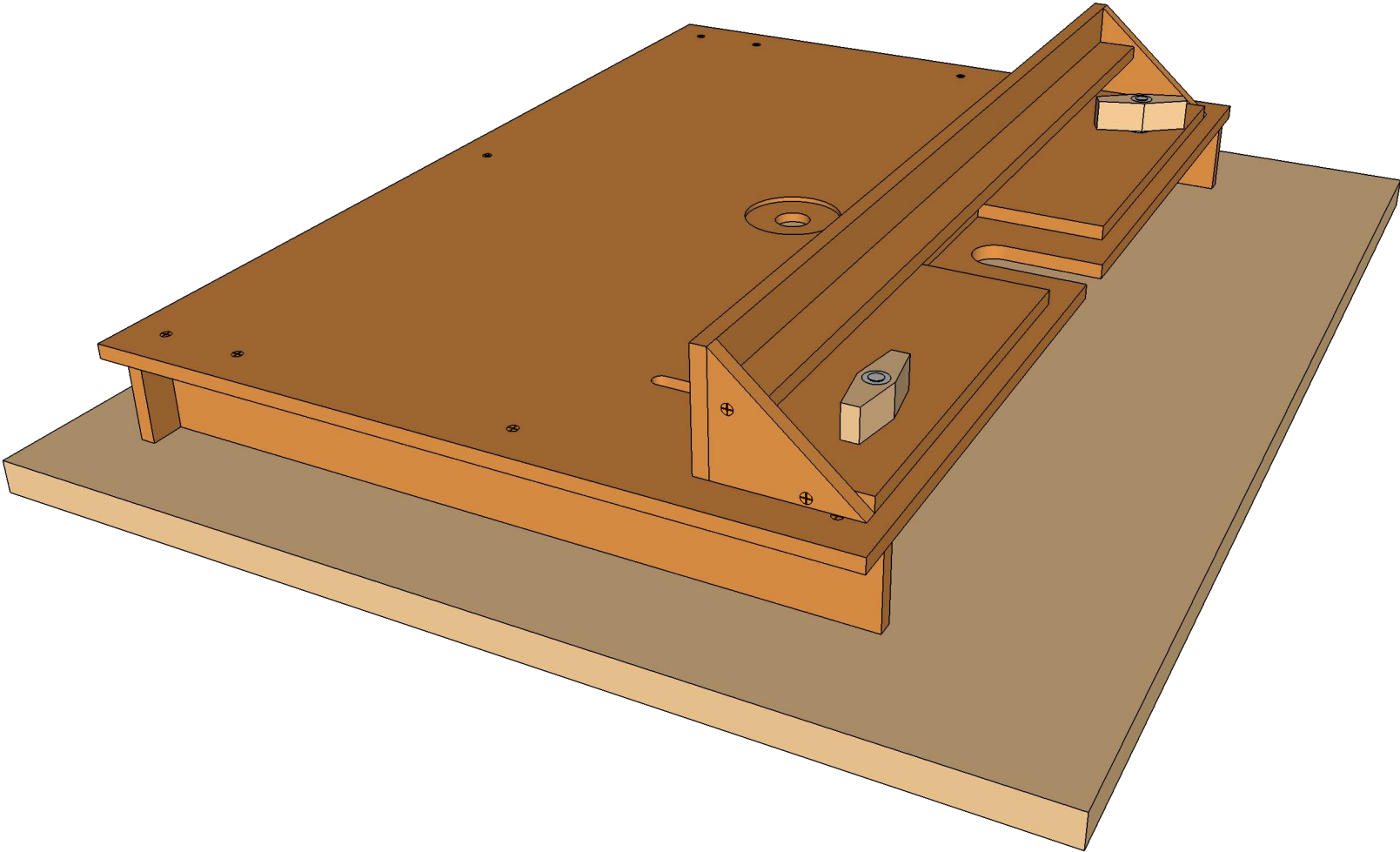
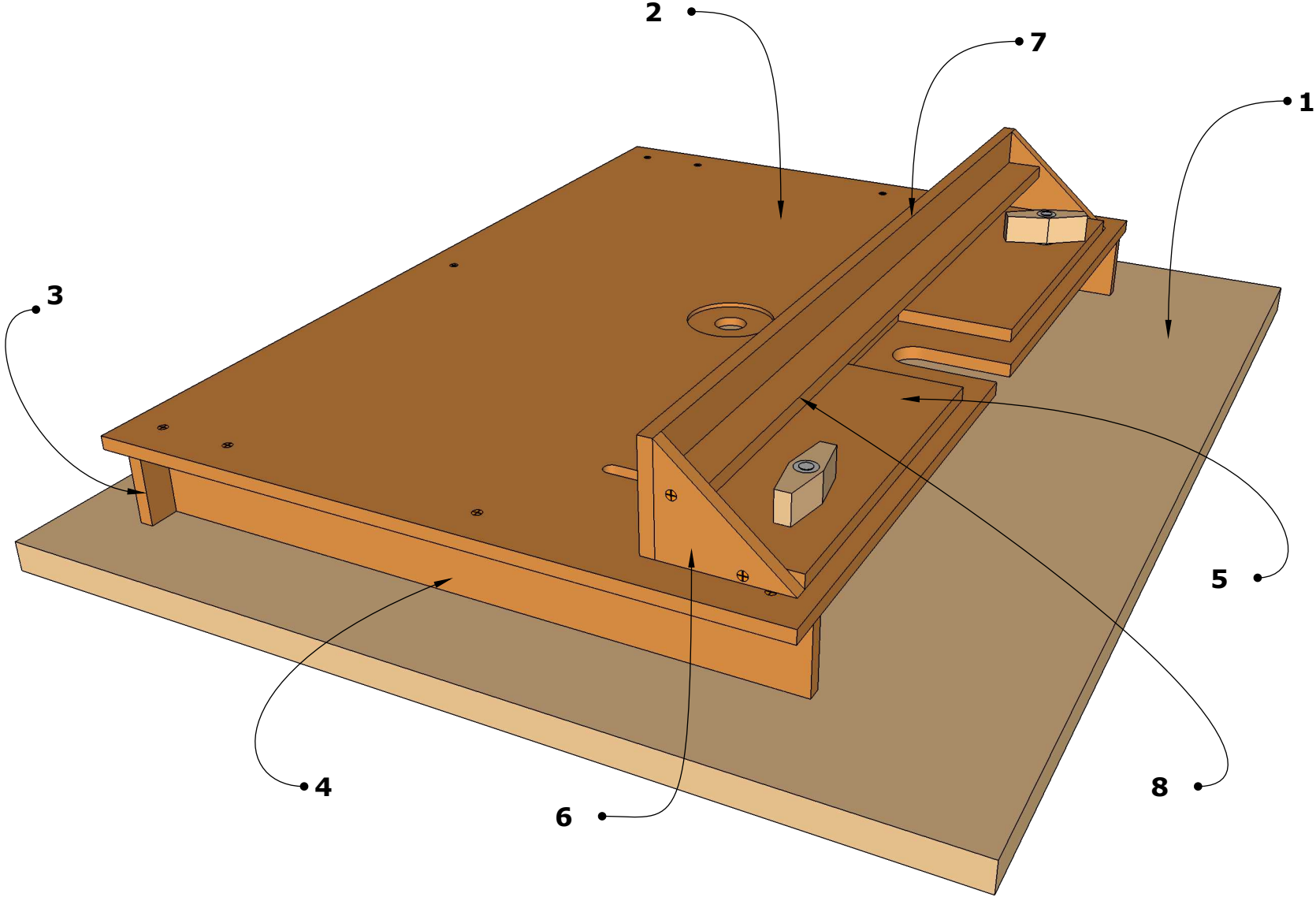


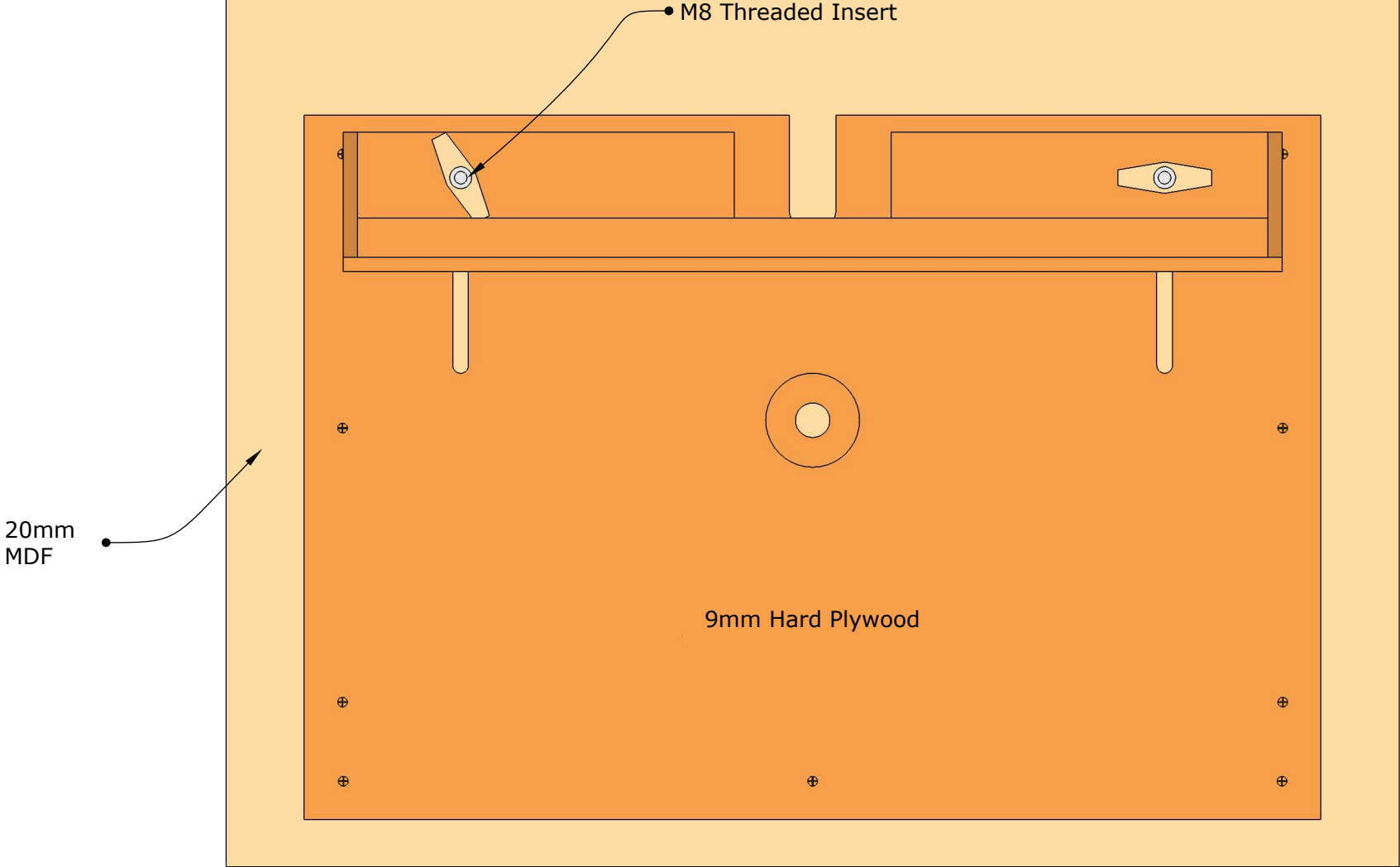
Iso



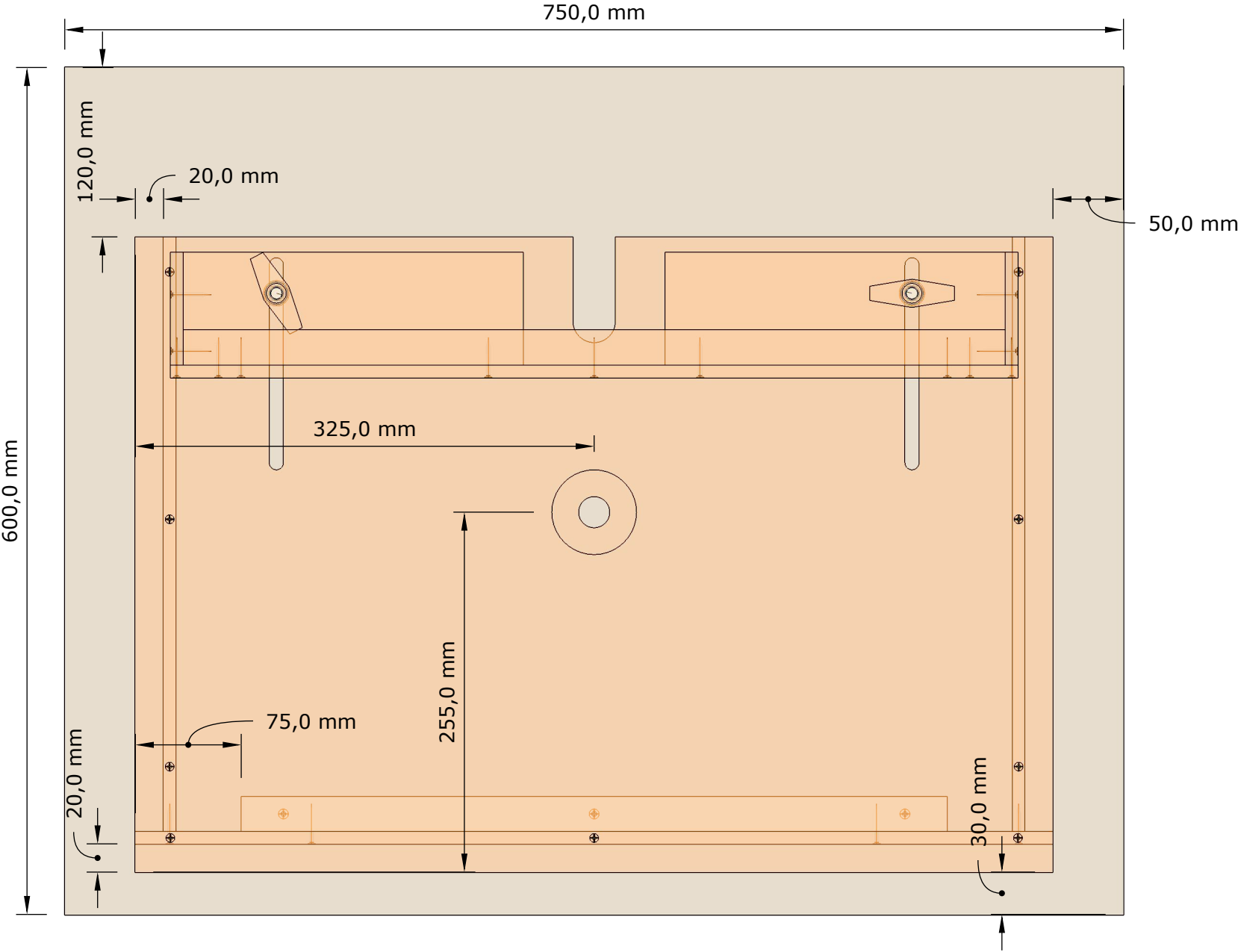
**Iso - Numbers**



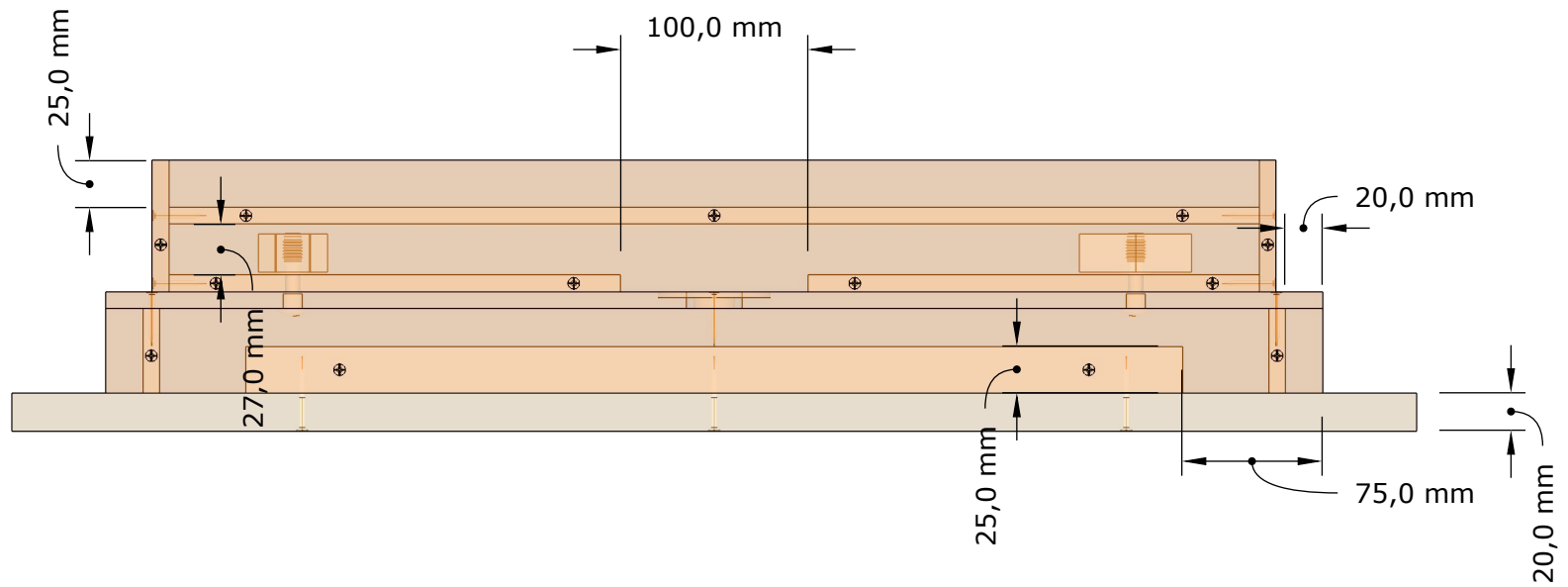
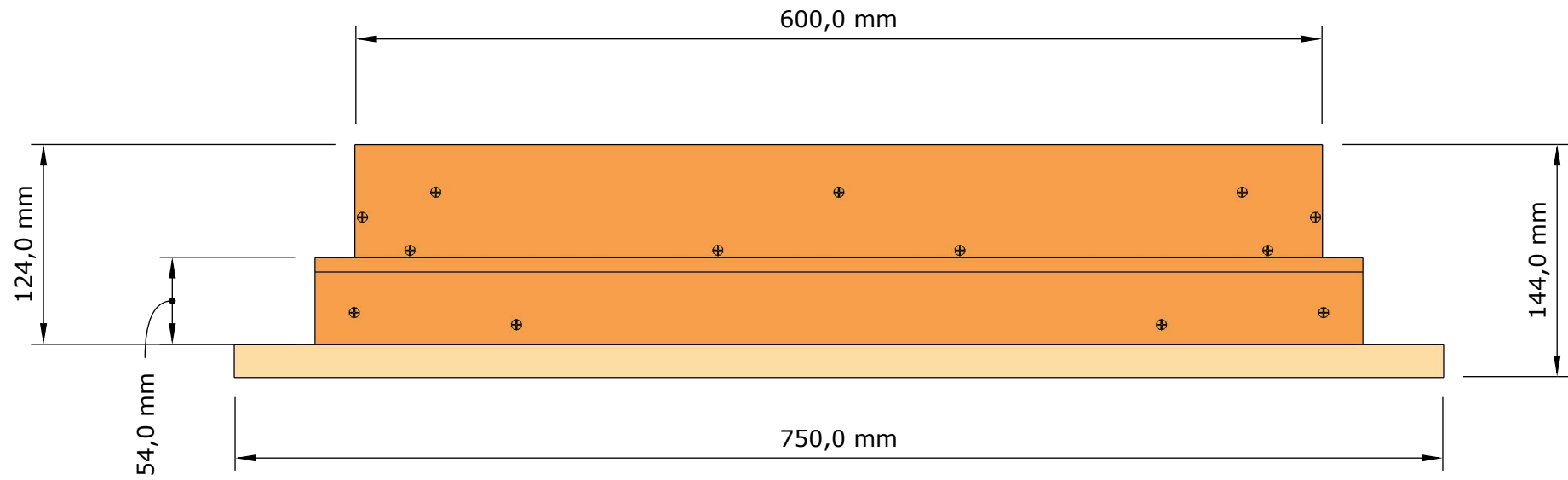
Top - 1/4 Scale



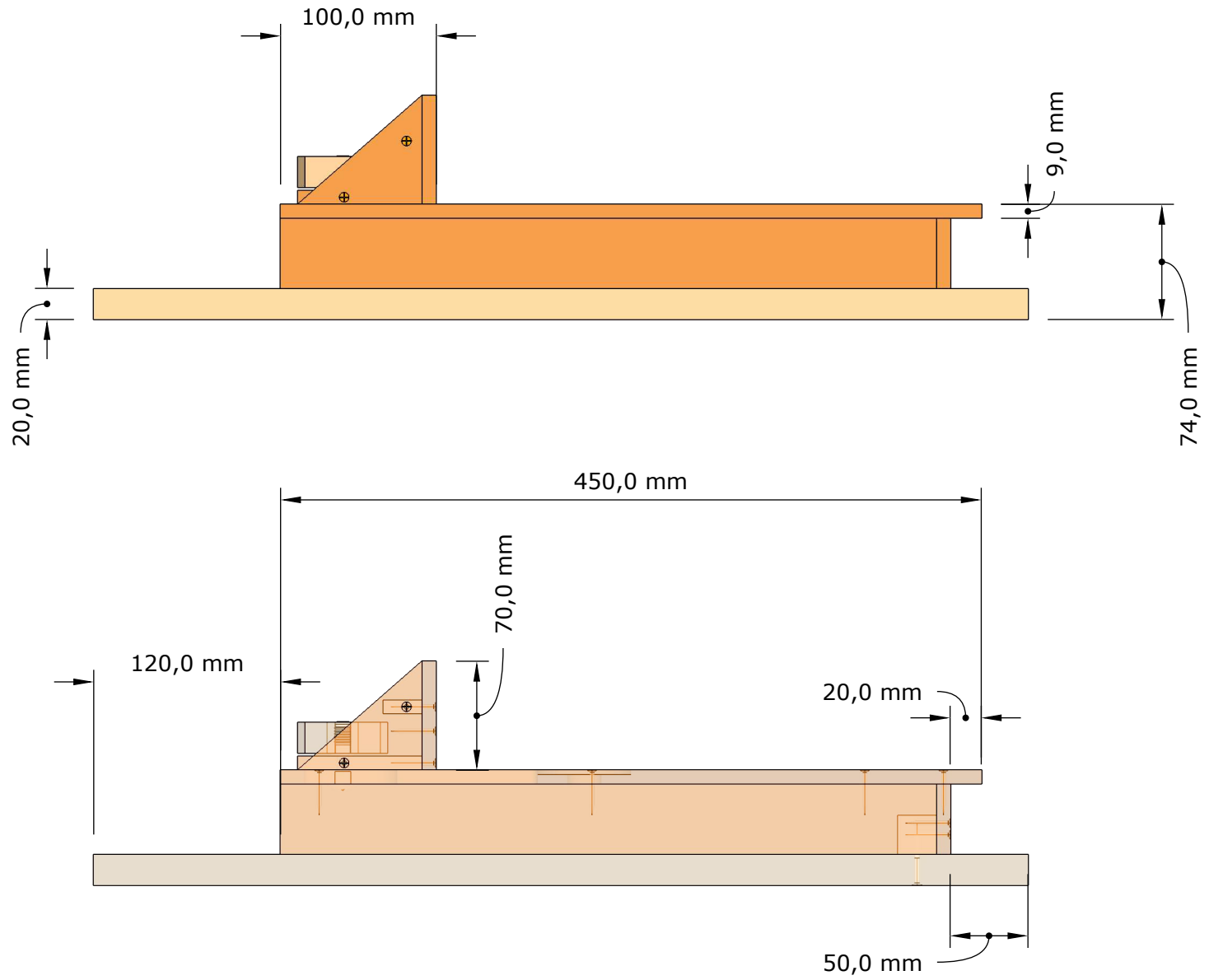
Top - XRay - 1/4 Scale



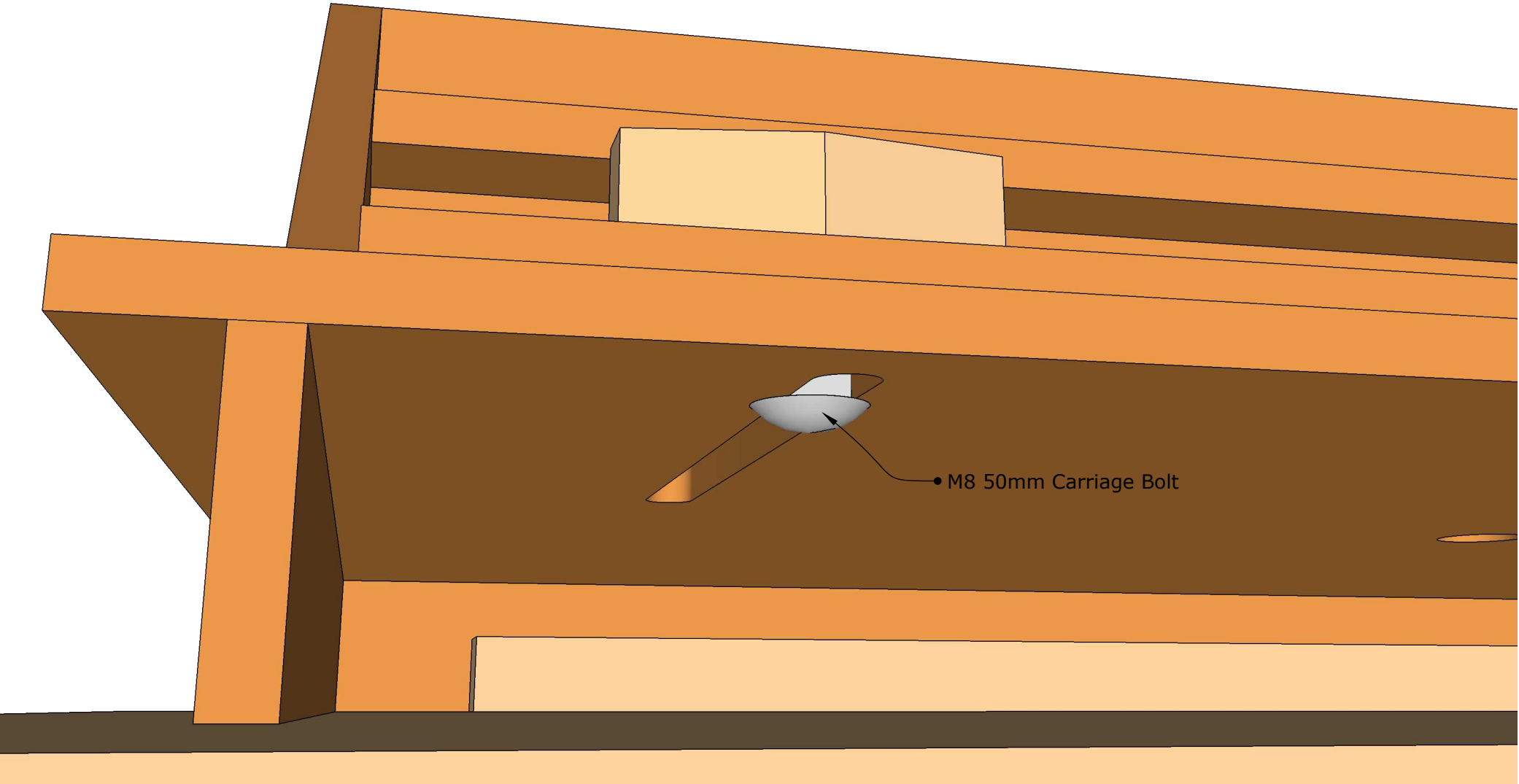
Front - 1/4 Scale



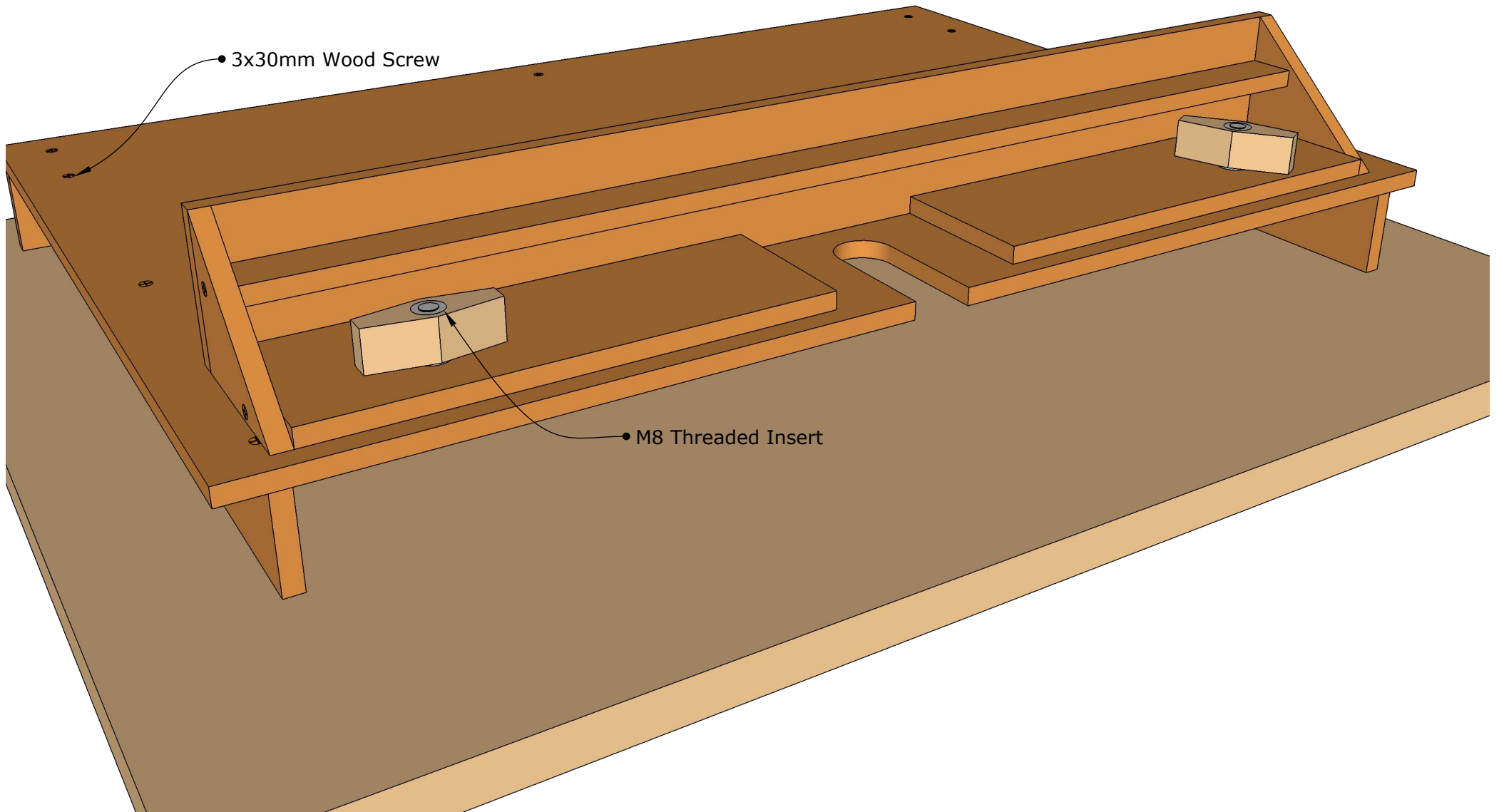
**Left - XRay - 1/4 Scale**



**Detail 1**

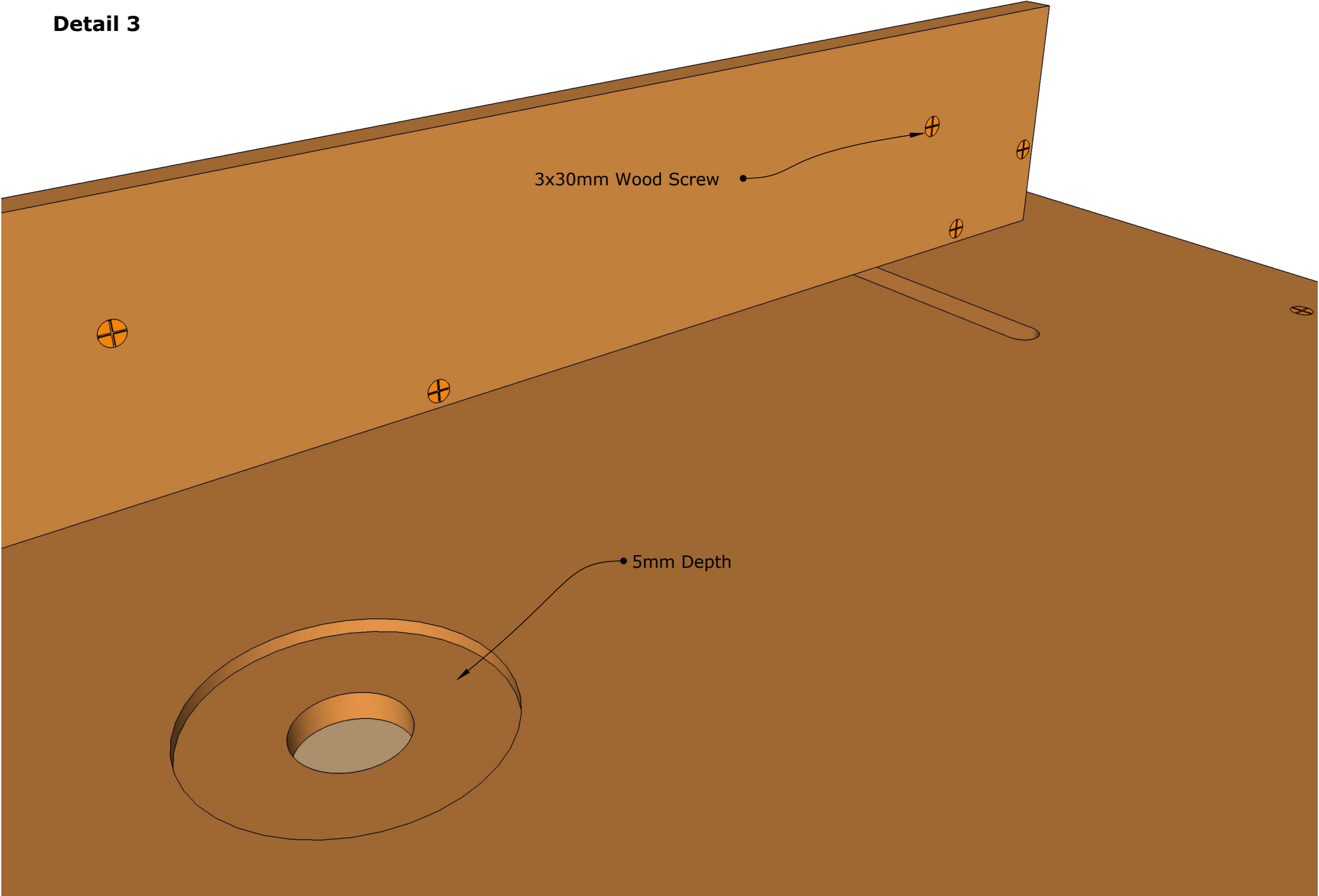


## Detail 2





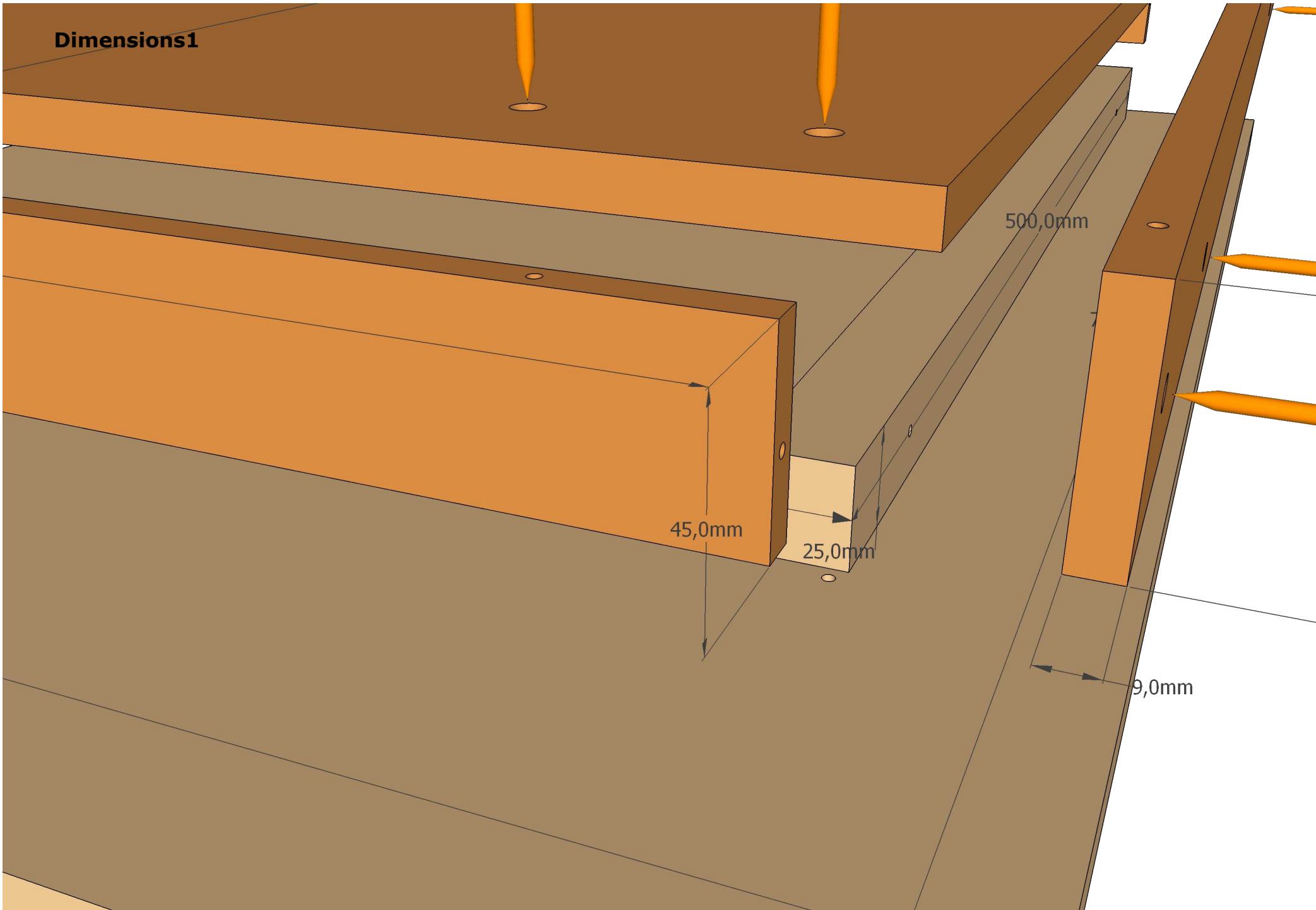
**Detail 3**



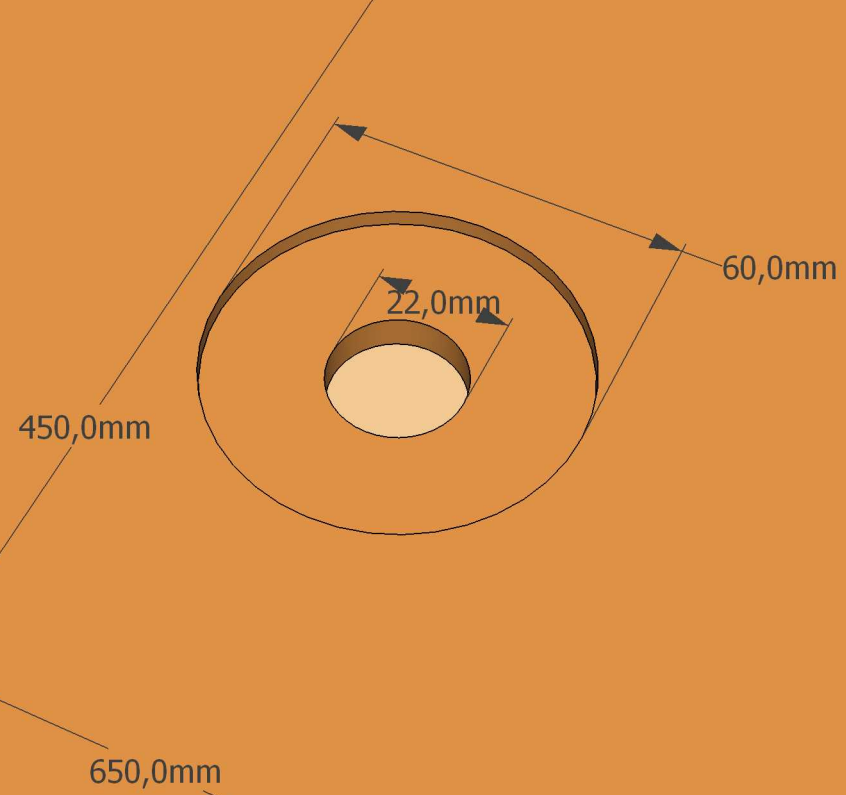
3x30mm Wood Screw

5mm Depth

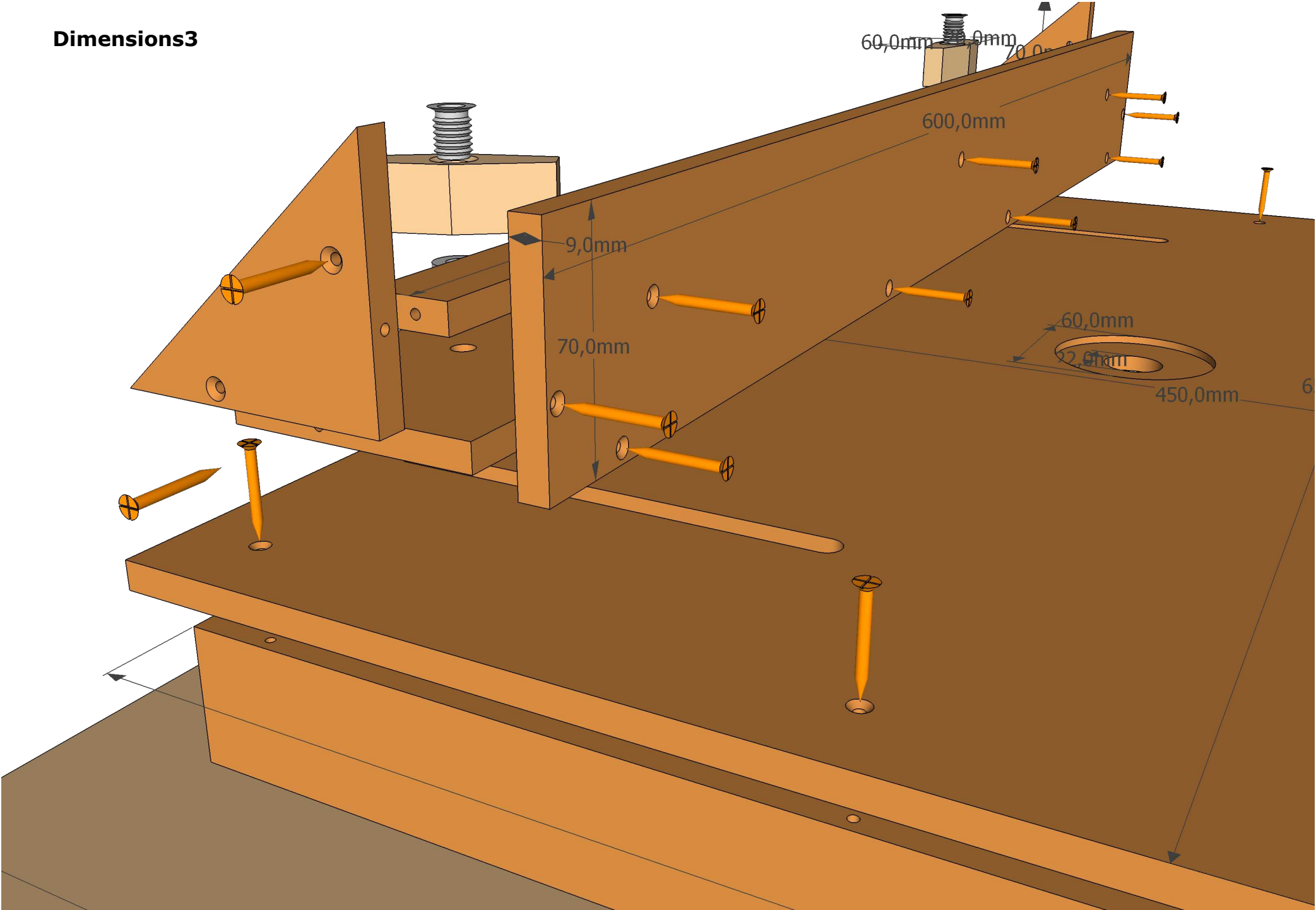
**Dimensions1**



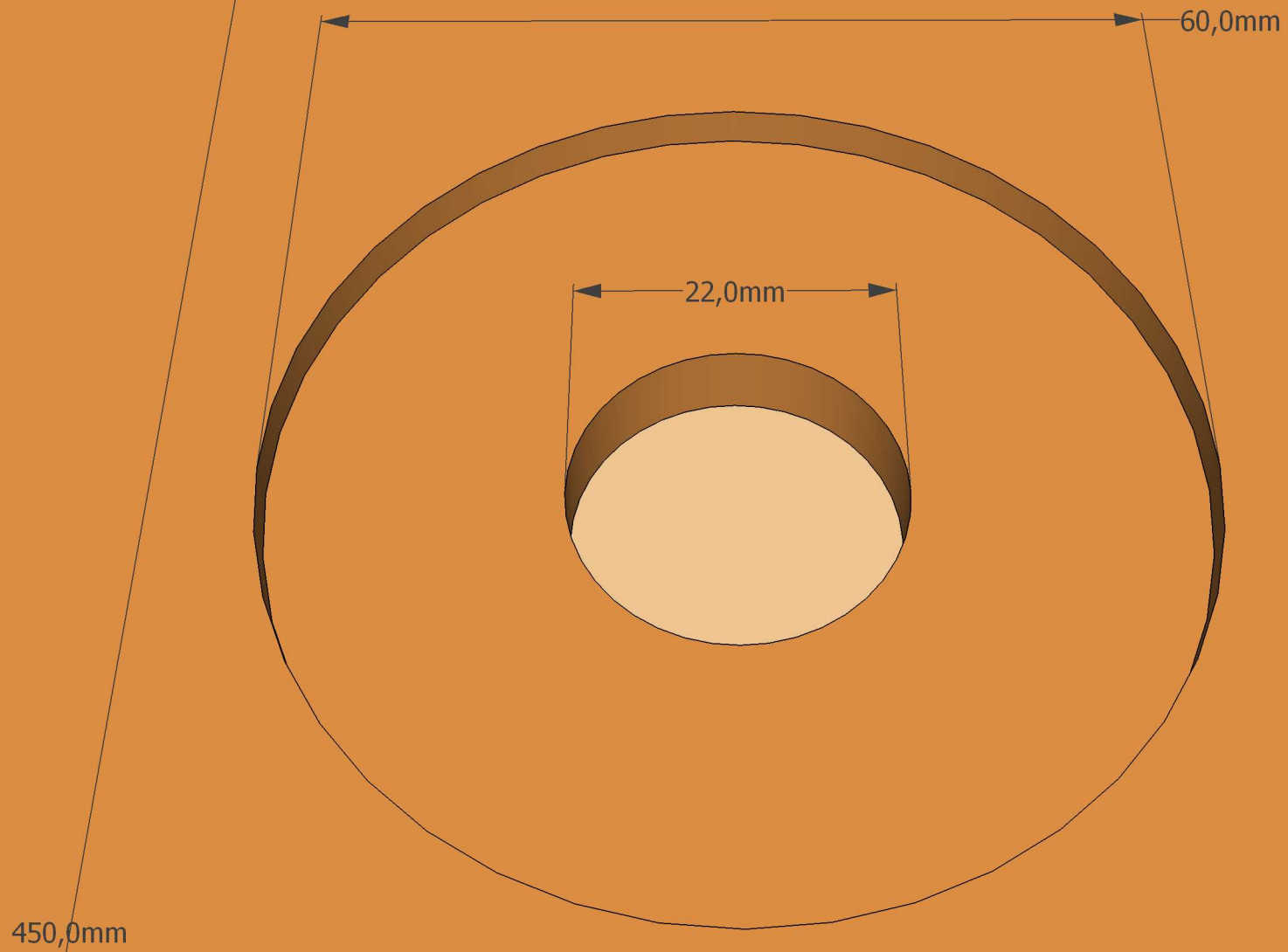
## Dimensions2



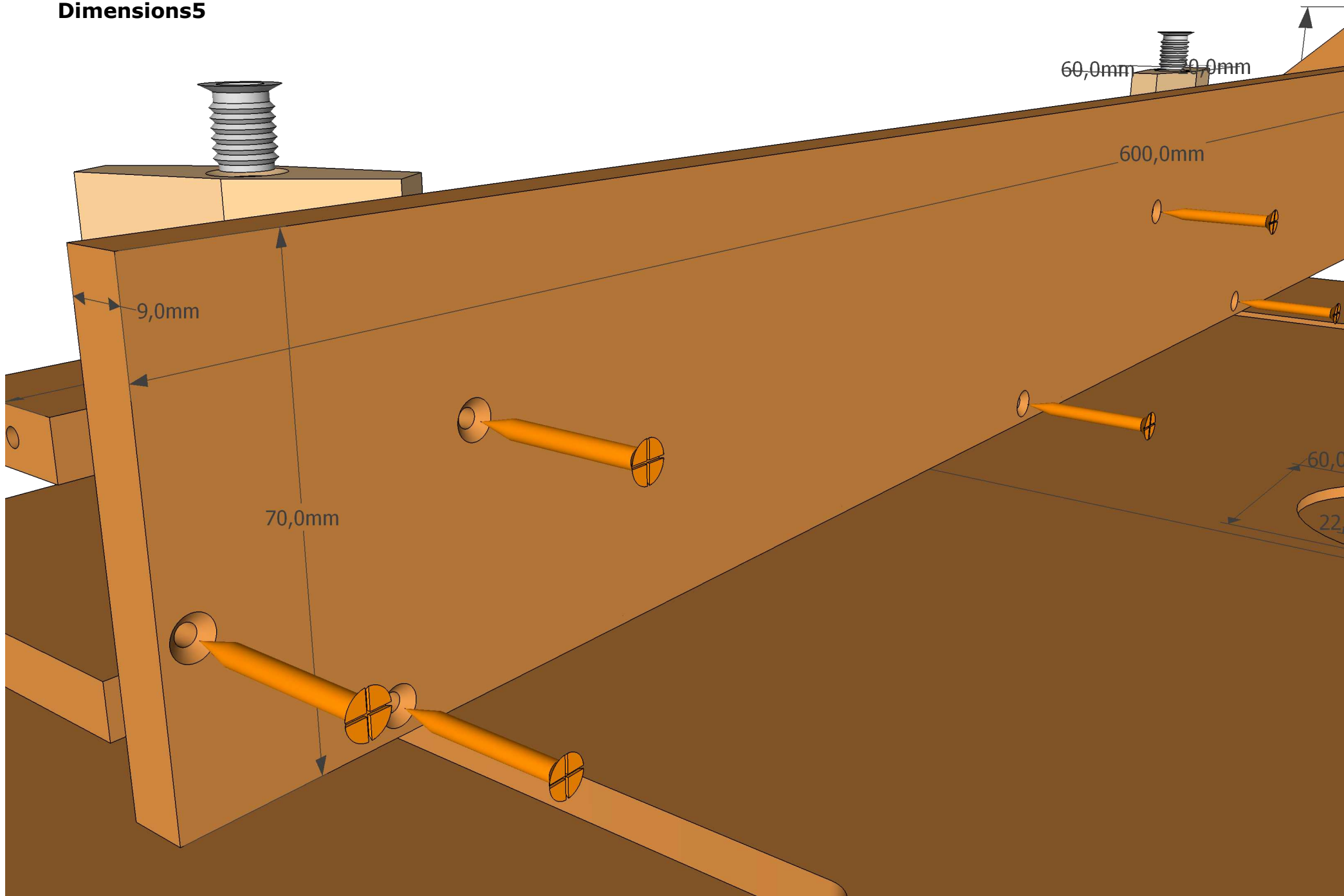
**Dimensions3**



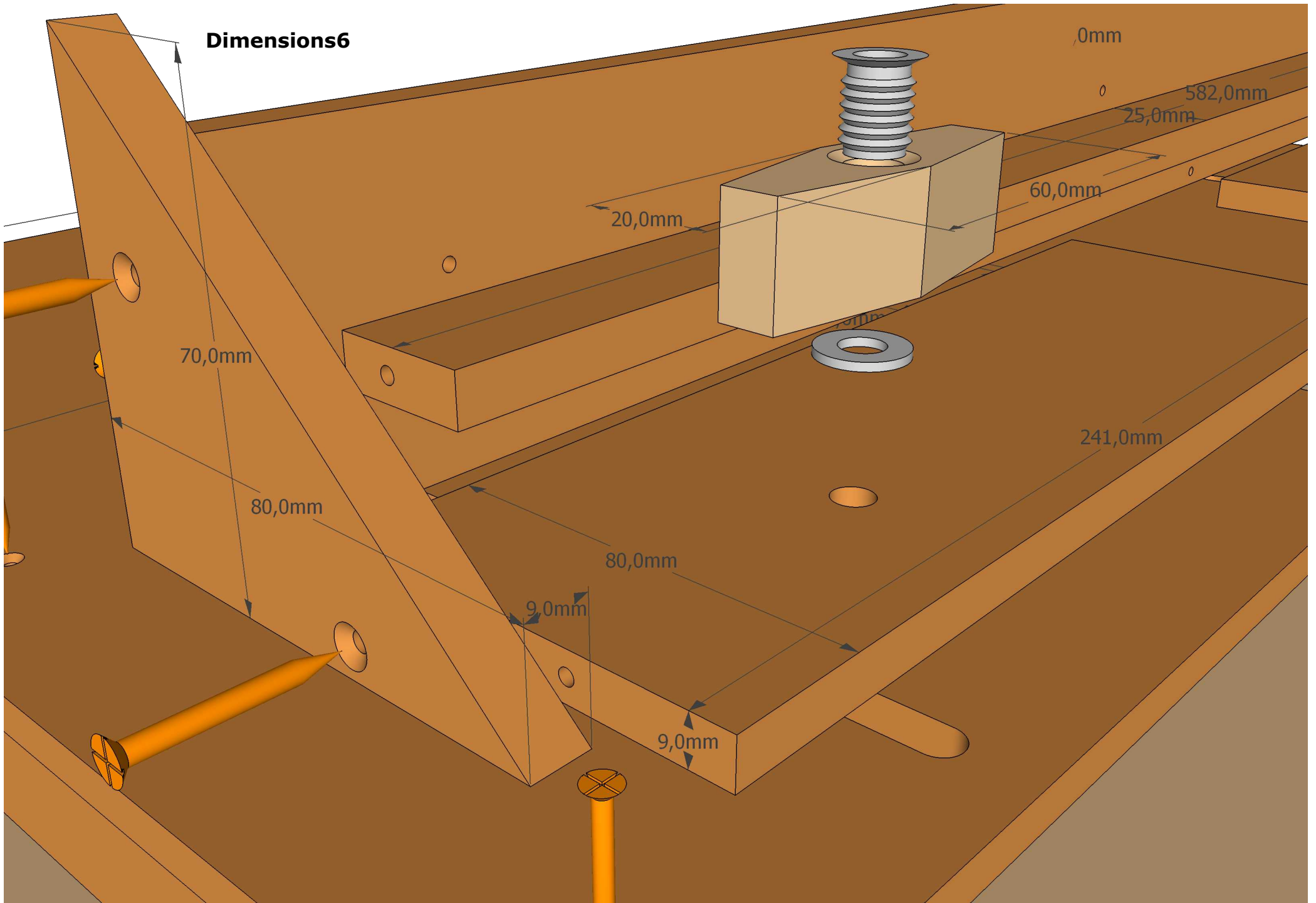
# Dimensions4



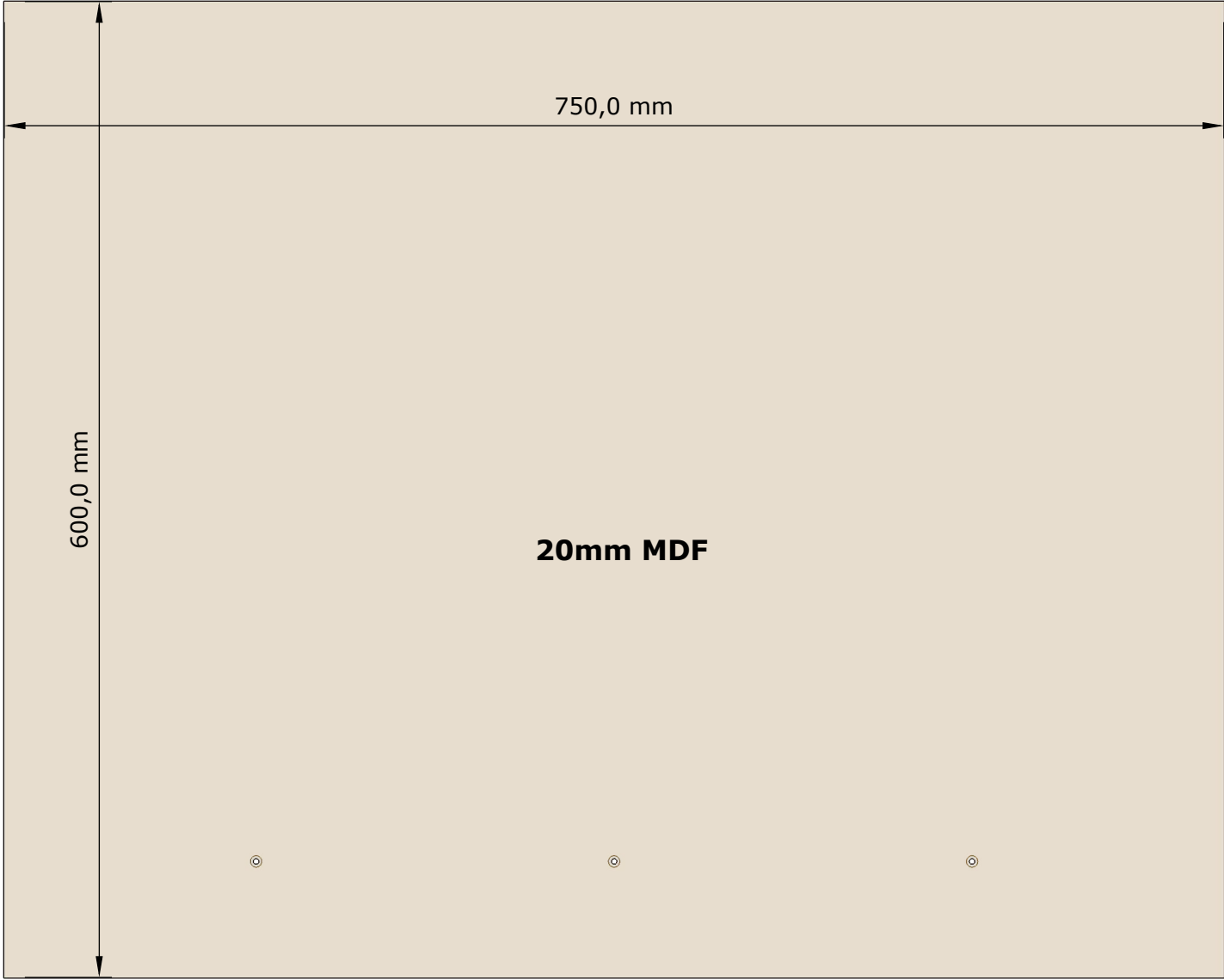
# Dimensions5



**Dimensions6**

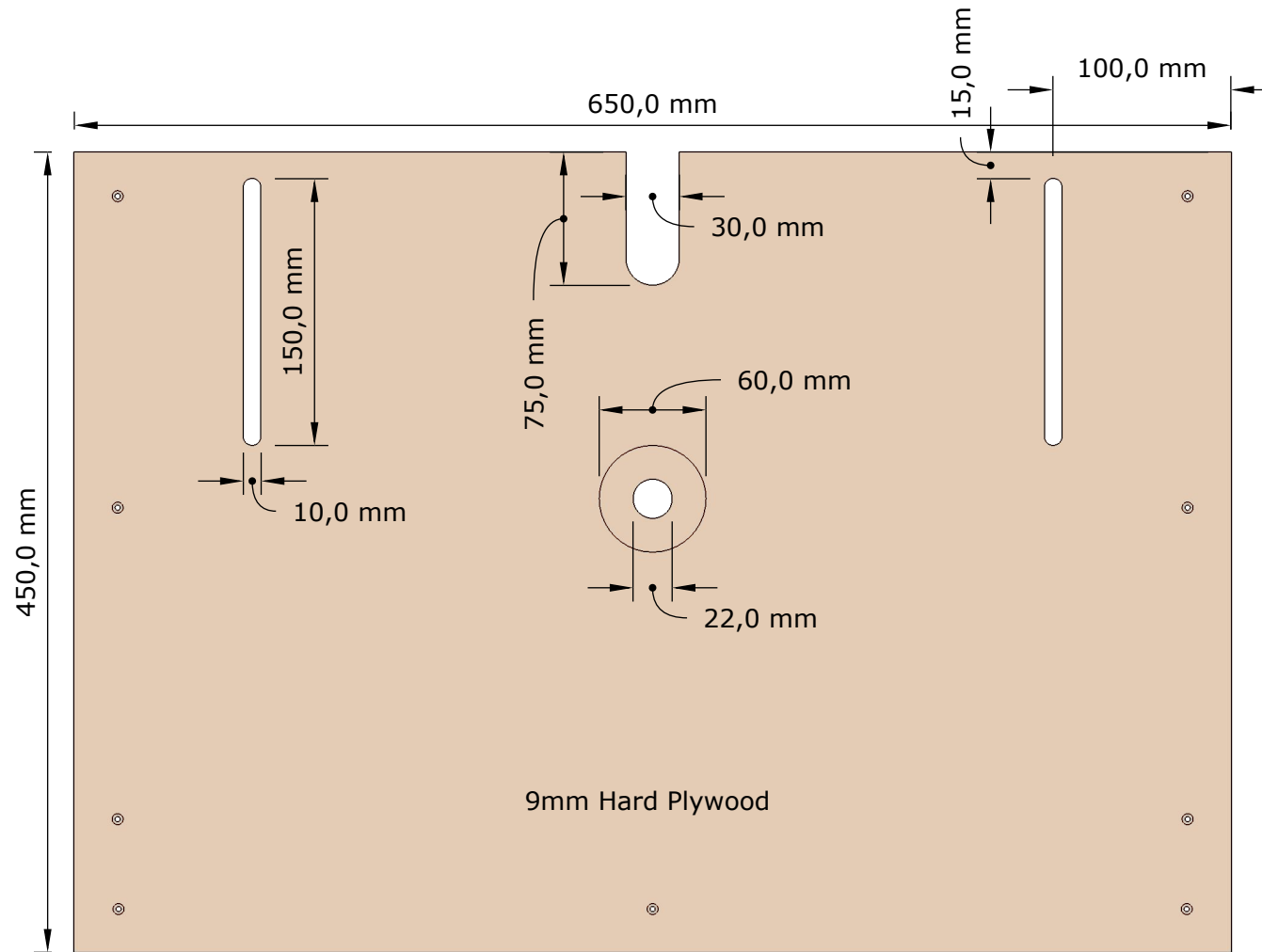


**Piece 1 1/4 Scale**

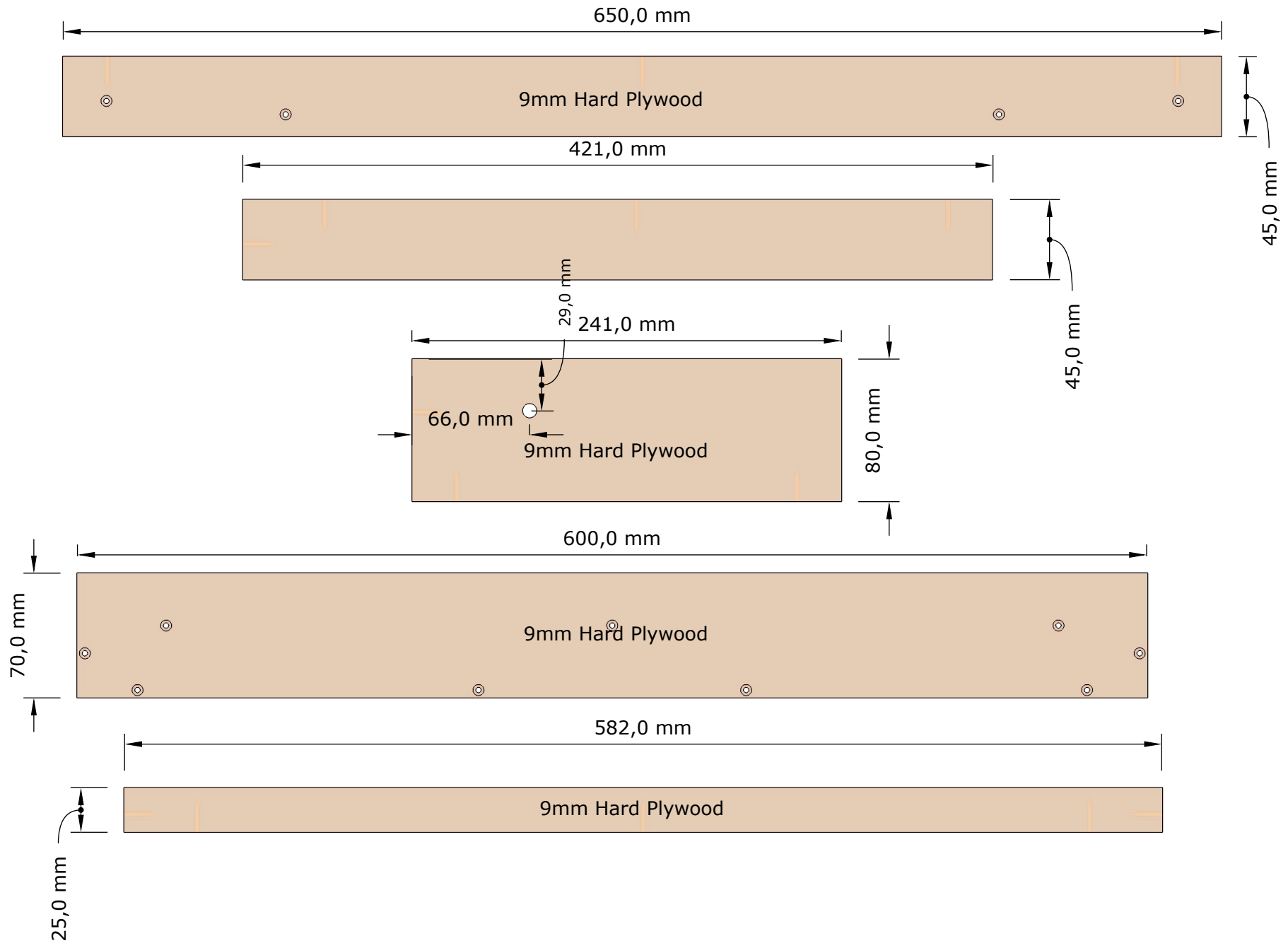




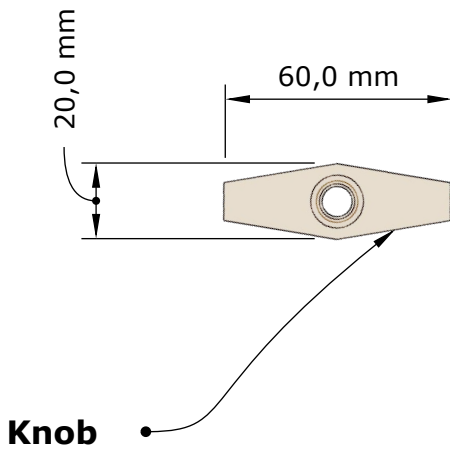
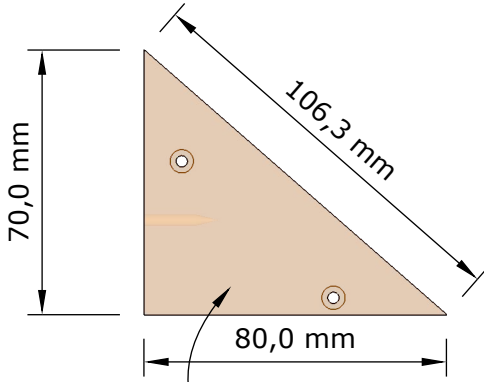
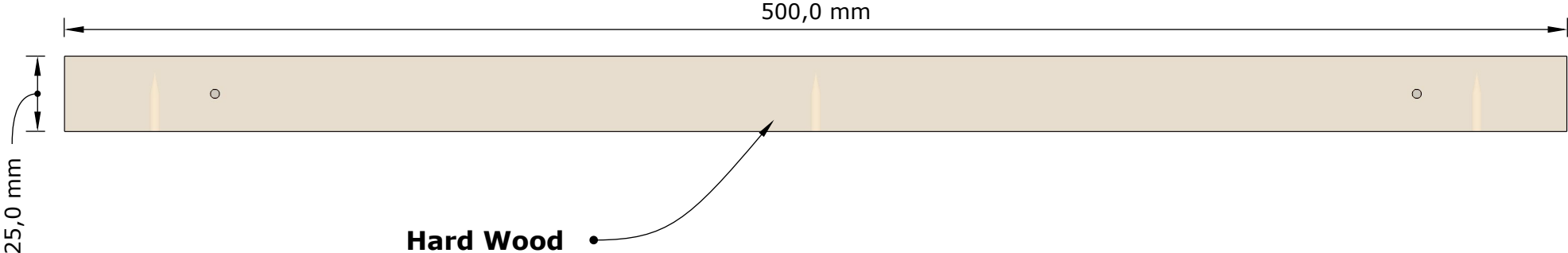
**Piece 2 1/4 Scale**



**Piece 3-4-5-7-8 1/3 Scale**



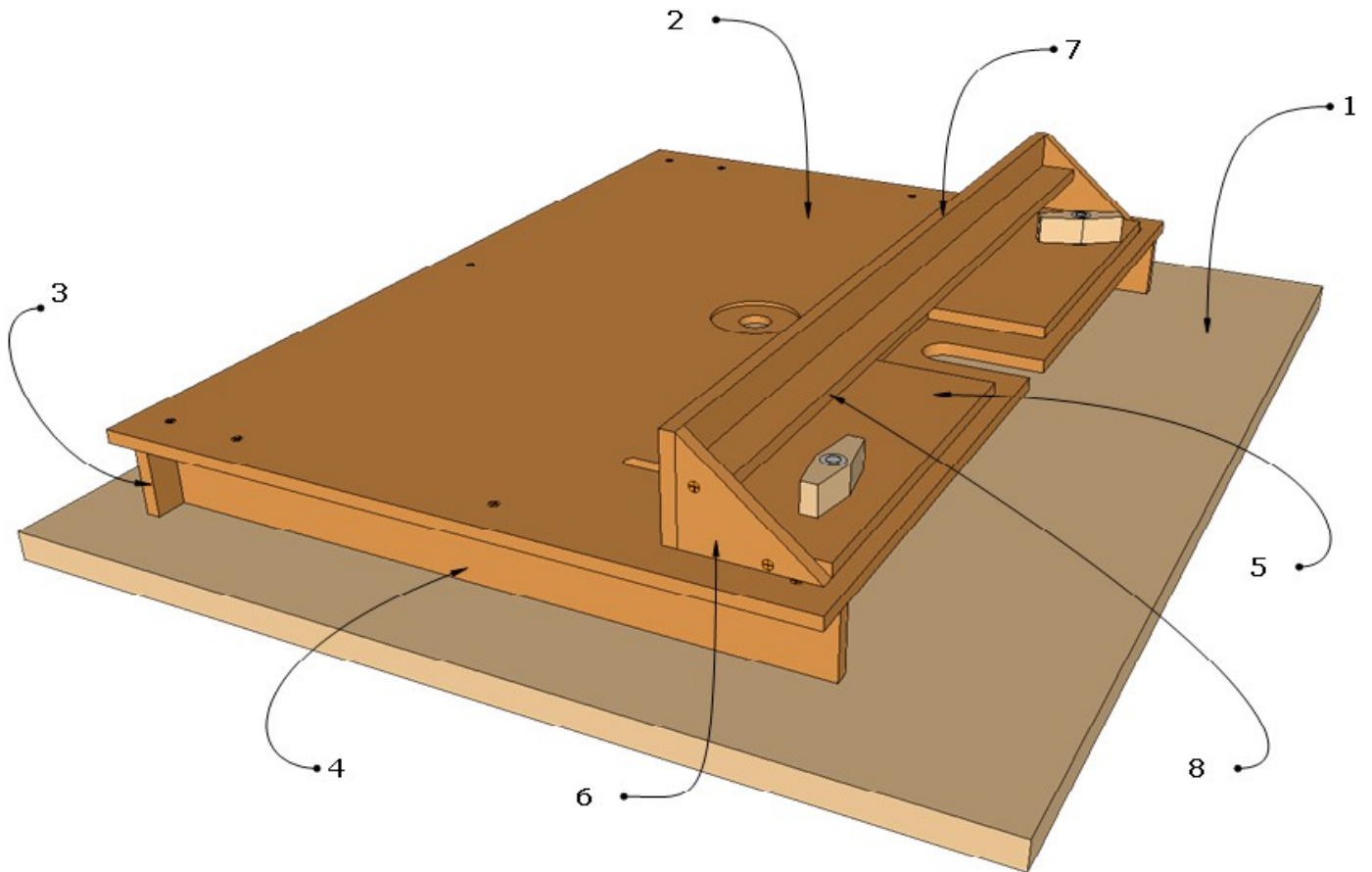
**Piece 6 1/2 Scale**



# Drill Press Stand

## Cutting list:

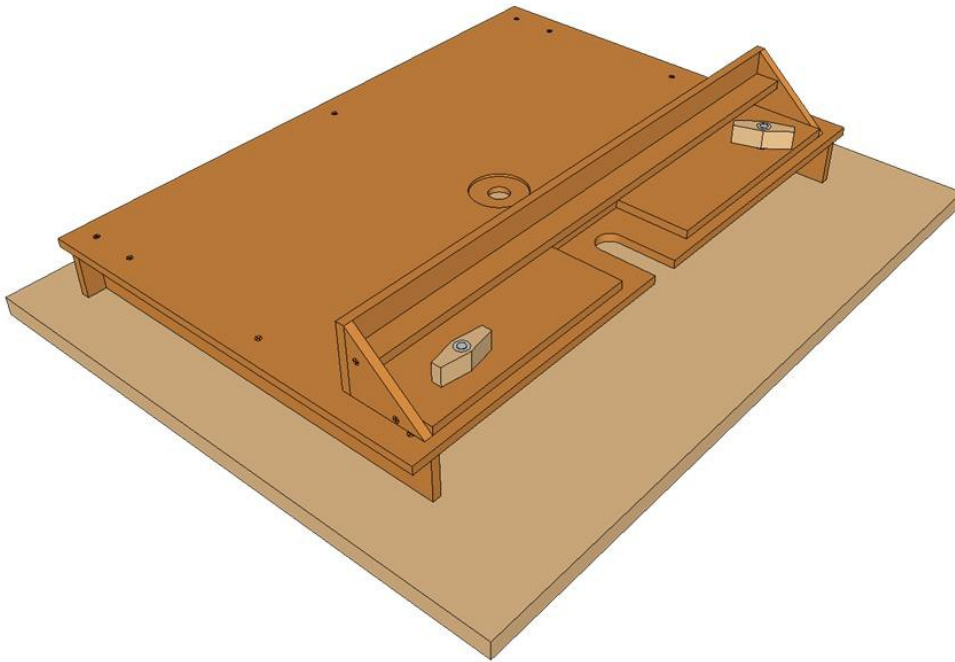
Name	Length	Width	Quantity	Material
1	750 mm	600 mm	1	20mm MDF
2	650 mm	450 mm	1	9mm Plywood
3	650 mm	45 mm	1	9mm Plywood
4	421 mm	45 mm	2	9mm Plywood
5	241 mm	80 mm	2	9mm Plywood
6	80 mm	70 mm	2	9mm Plywood
7	600 mm	70 mm	1	9mm Plywood
8	582 mm	25 mm	1	9mm Plywood



# *Drill Press Stand Ferrules*

## **Bolts:**

- 2 M8 50mm Carriage Bolt
- 2 M8 Threaded Insert



**Bolts and Screws**

Allen Socket Head



Allen Flat Head



Hexagonal



Allen Round Head



Carriage



Wood



Eye



Hexagonal



Nuts

Nylon Insert Lock



Wing



Tee



Threaded Insert



Flat



Washers

Spring



Internal Teeth



External Teeth



Flat



Hinges

Kitchen Door



L

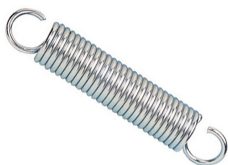


Profiles

Pipe



Springs

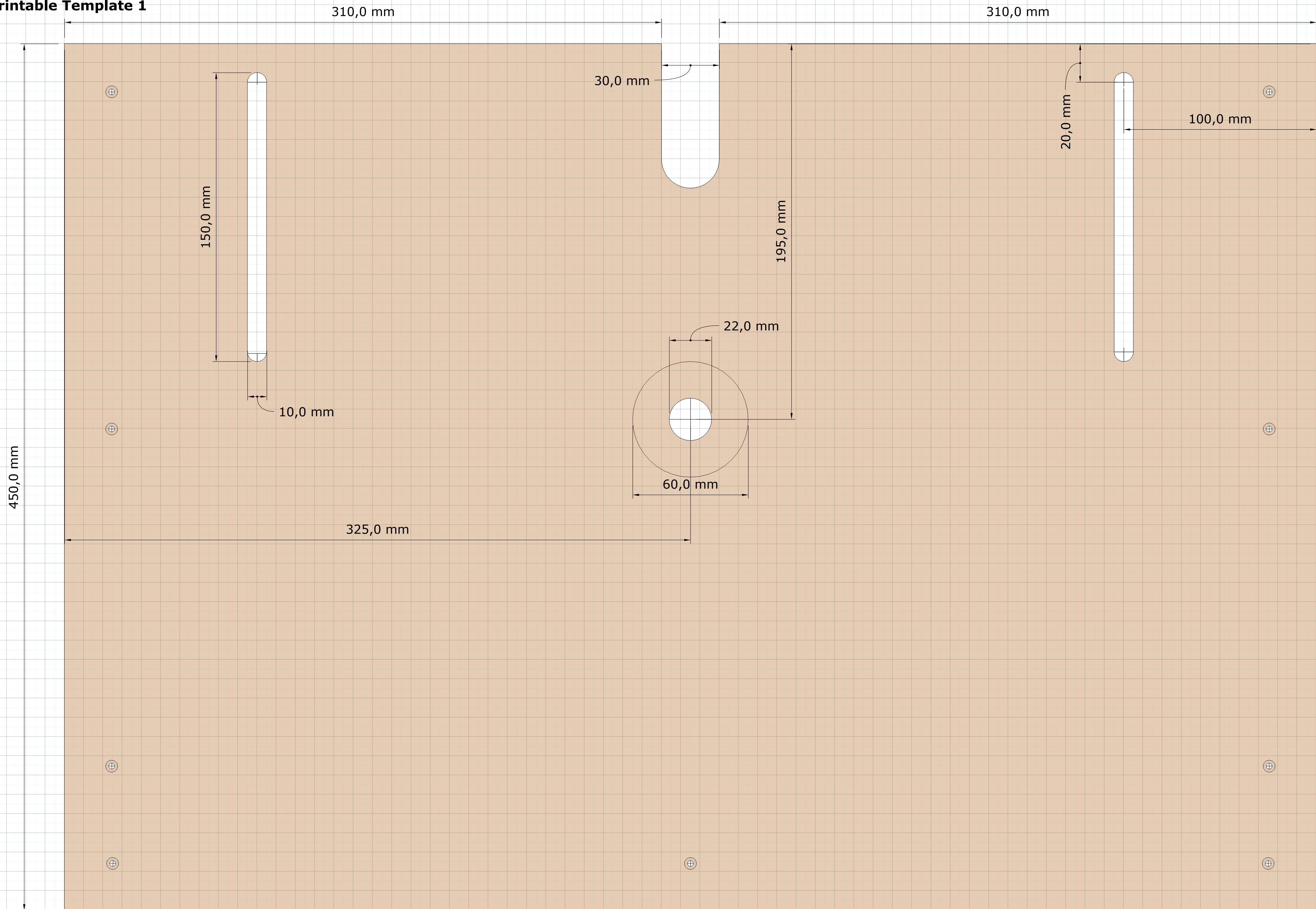


Bearings

608



**Printable Template 1**





Printable Template 2

